

**SPLIT TYPE AIR  
CONDITIONER (50Hz)**

**DUCT** type

# SERVICE MANUAL

Models	Indoor unit	Outdoor unit
	ARY36ALC3	AOY36ACG3L
	ARY36RLC3	AOY36RCG3L

## C O N T E N T S

SPECIFICATIONS .....	1
DIMENSIONS .....	2
CIRCUIT DIAGRAM .....	3
REFRIGERANT SYSTEM DIAGRAM .....	5
INDOOR P. C. BOARD CIRCUIT DIAGRAM .....	6
OUTDOOR P. C. BOARD CIRCUIT DIAGRAM .....	8
INDOOR P. C. BOARD LAYOUTS .....	9
OUTDOOR P. C. BOARD LAYOUTS .....	11
DISASSEMBLY ILLUSTRATION .....	12
PARTS LIST .....	21

FUJITSU GENERAL LIMITED



**Большая библиотека технической документации**

<https://splitsystema48.ru/instrukcii-po-ekspluatacii-kondicionerov.html>

**каталоги, инструкции, сервисные мануалы, схемы.**

# S P E C I F I C A T I O N S

INDOOR UNIT		ARY36ALC3	ARY36RLC3
OUTDOOR UNIT		AOY36ACG3L	AOY36RCG3L
COOLING CAPACITY	(kW)	10.3 - 10.5	10.3 - 10.5
HEATING CAPACITY	(kW)	—	10.5 - 10.7

## ELECTRICAL DATA

POWER SOURCE	(V)	380 - 415	
FREQUENCY	(Hz)	50	
RUNNING CURRENT	(A)	COOLING	7.1 - 7.3
		HEATING	—
INPUT WATTS	(kW)	COOLING	4.00 - 4.10
		HEATING	—
E.E.R.	(kW/kW)	COOLING	2.58 - 2.56
		HEATING	—
MOISTURE REMOVAL	(ℓ/hr)	3.1	
AIR CIRCULATION-Hi	(m <sup>3</sup> /hr)	2,000	

Note : The above list shows values at the external static pressure of 98 Pa. (10 mm Aq.).

## COMPRESSOR

TYPE	Hermetic type, 2 pole, 3-phase, Induction motor
CODE	CR47KQ-TFD

## FAN MOTOR

		ARY36ALC3	ARY36RLC3	AOY36ACG3L	AOY36RCG3L
TYPE		MFA-45BTT		MFB-362FT	
POWER SOURCE	(V)	380 - 415		380 - 415	
HI-SPEED	(r.p.m.)	1,280		790	
MED-SPEED	(r.p.m.)	1,200		—	
LO-SPEED	(r.p.m.)	1,130		—	

Note : The above list shows values at the external static pressure of 0Pa, 415V.

## DIMENSIONS

INDOOR UNIT	H x W x D (mm)	270 x 1,210 x 700
OUTDOOR UNIT		1,152 x 940 x 370

## WEIGHT

GROSS WEIGHT	(kg)	60	108	110
NET WEIGHT	(kg)	45	94	96

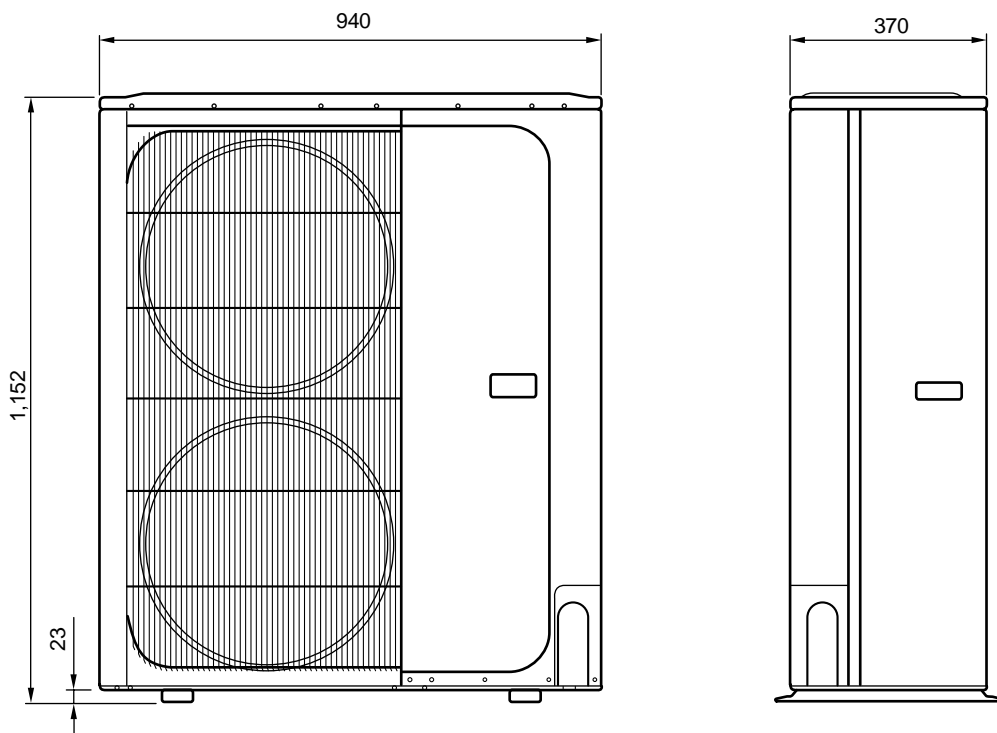
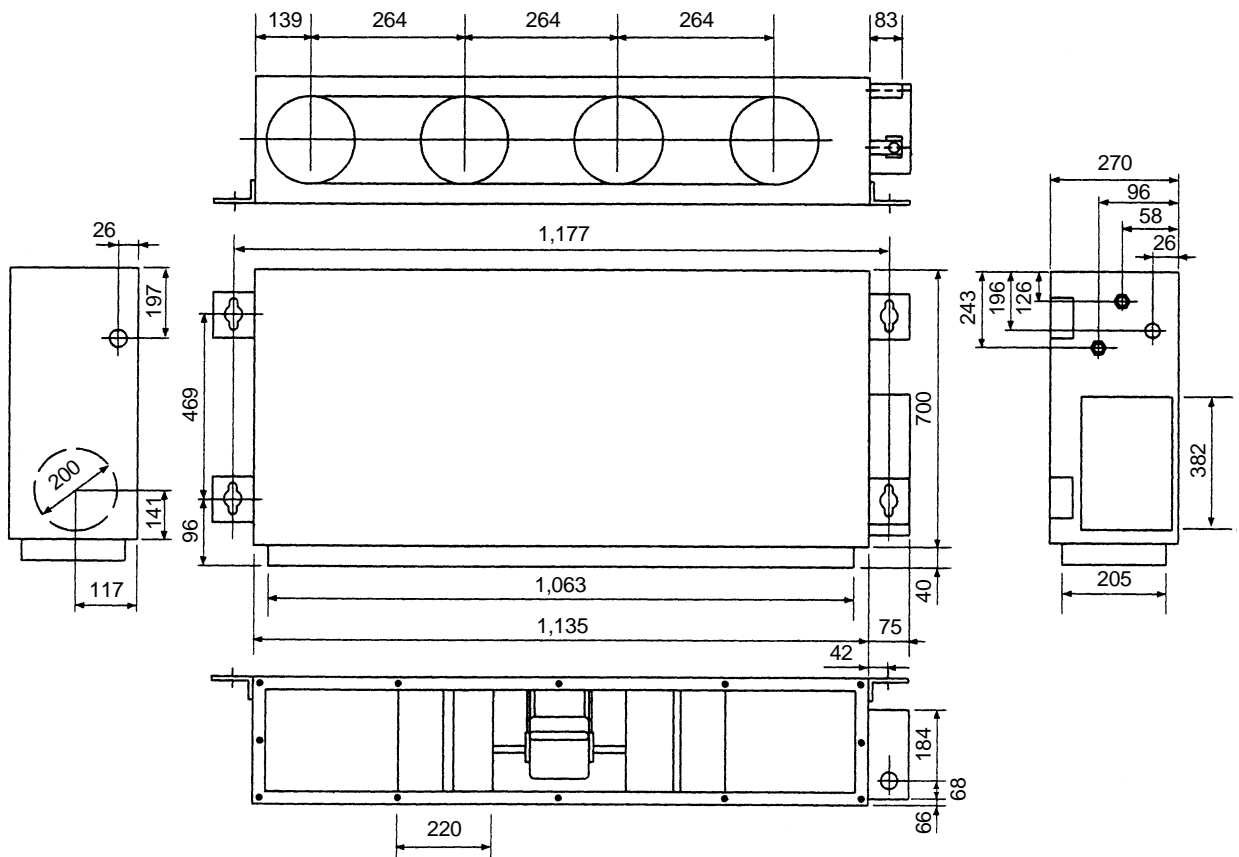
## ADDITIONAL REFRIGERANT CHARGE

MODELS	PIPE LENGTH	10 m	20 m	30 m	40 m	50 m	g/m
		(33 ft)	(66 ft)	(99 ft)	(132 ft)	(164 ft)	( oz / ft )
FULL CHARGE AMOUNT	ARY36ALC3	2,350 g (82.9 oz)	2,650 g (93.5 oz)	2,950 g (104.1 oz)	3,250 g (114.7 oz)	3,550 g (125.3 oz)	30 g/m (1.06 oz / 3.3 ft)
	ARY36RLC3	3,000 g (105.8 oz)		3,400 g (119.9 oz)	3,800 g (134.0 oz)	4,200 g (148.2 oz)	40 g/m (1.41 oz / 3.3 ft)

Note : When the piping is longer than 10 m (ARY36ALC3) and 20 m (ARY36RLC3), additional charge is necessary as the criteria, with 30 g (1.06 oz) / 1 m (3.3 ft) for ARY36ALC3, 40 g (1.41 oz) / 1 m (3.3 ft) for ARY36RLC3.

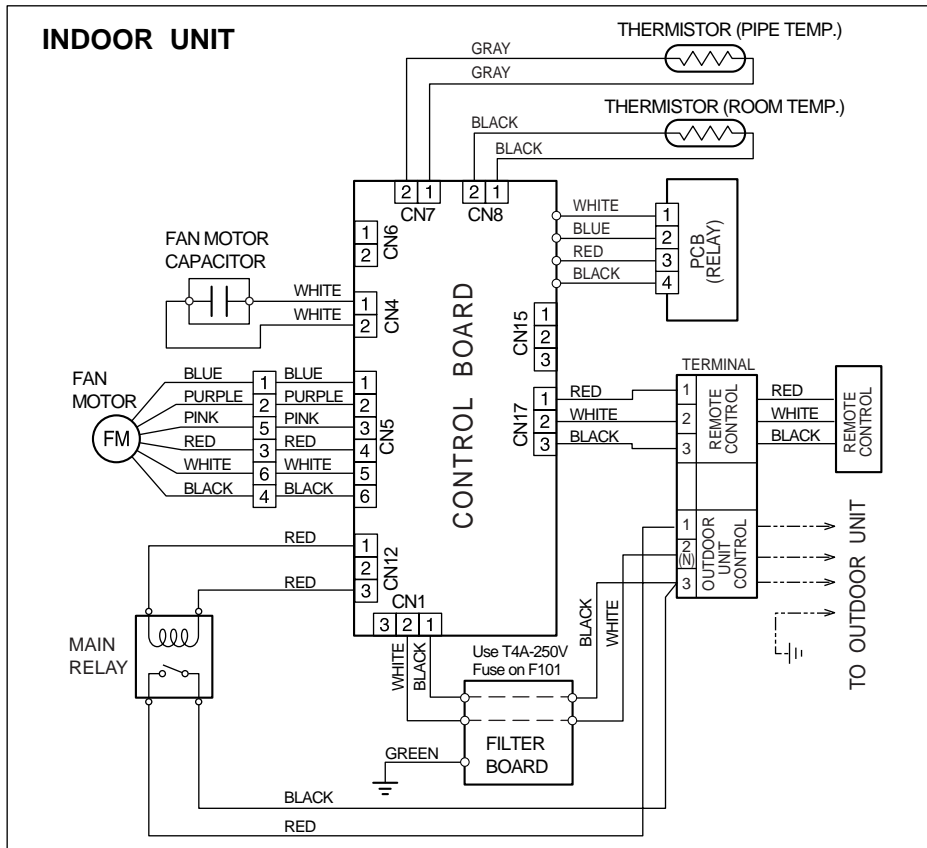
# DIMENSIONS

Unit : mm

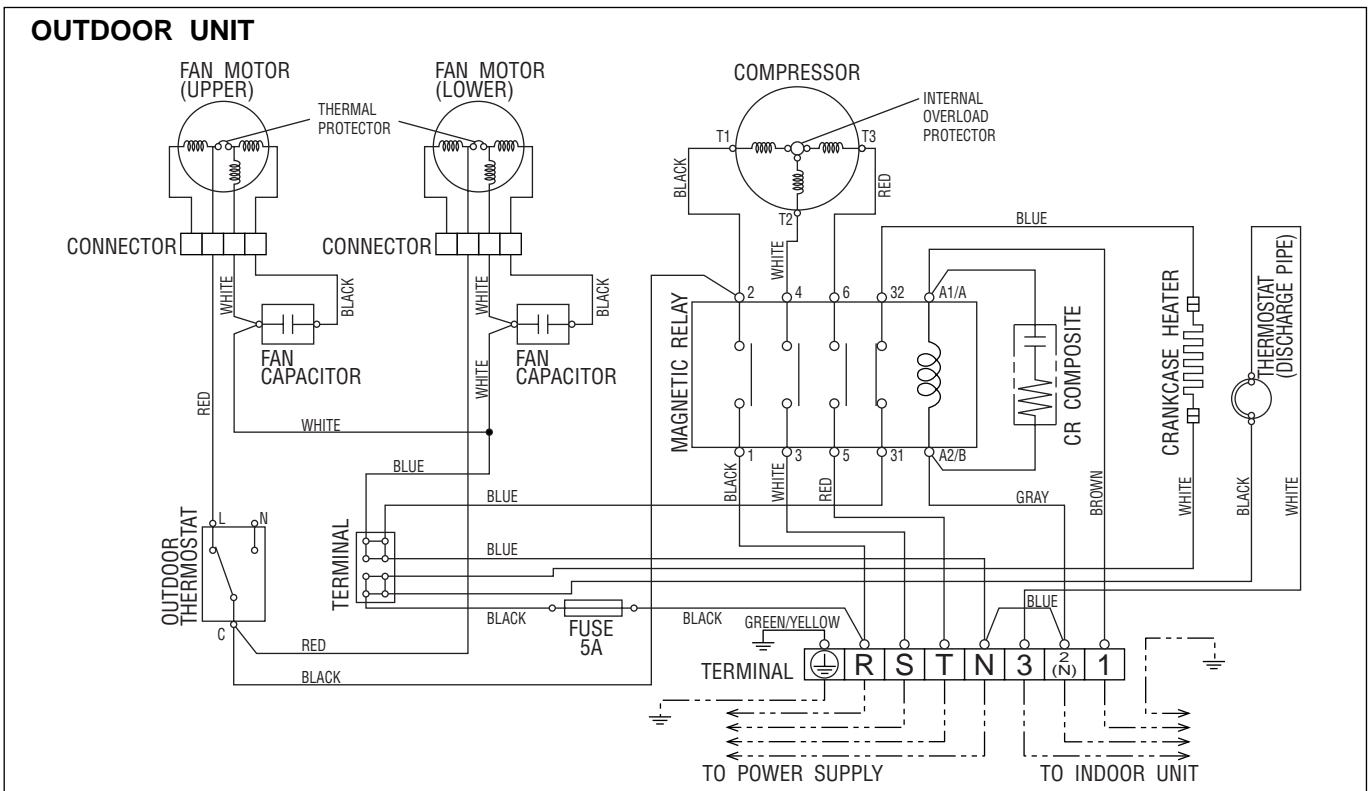


# CIRCUIT DIAGRAM

Models : ARY36ALC3 / AOY36ACG3L

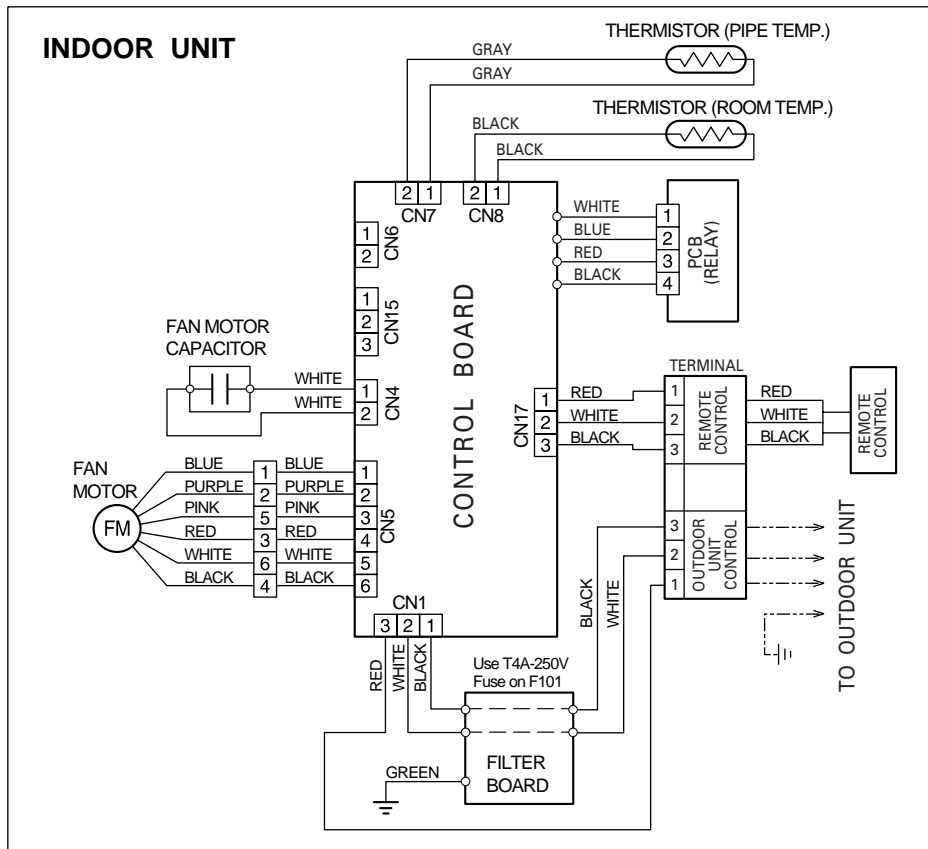


FAN MOTOR CAPACITOR	10.0 $\mu$ F
---------------------	--------------

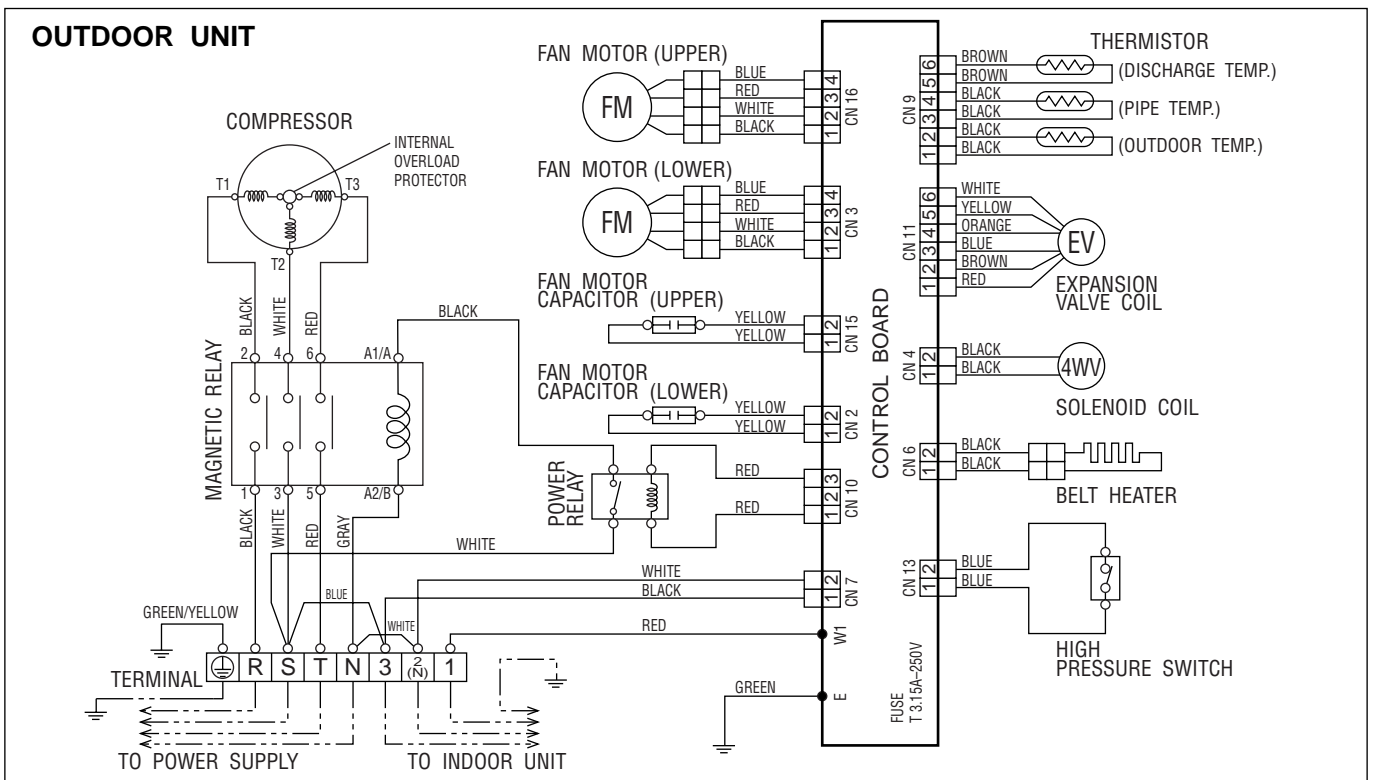


FAN MOTOR CAPACITOR	3.5 $\mu$ F
---------------------	-------------

**Models : ARY36RLC3 / AOY36RCG3L**



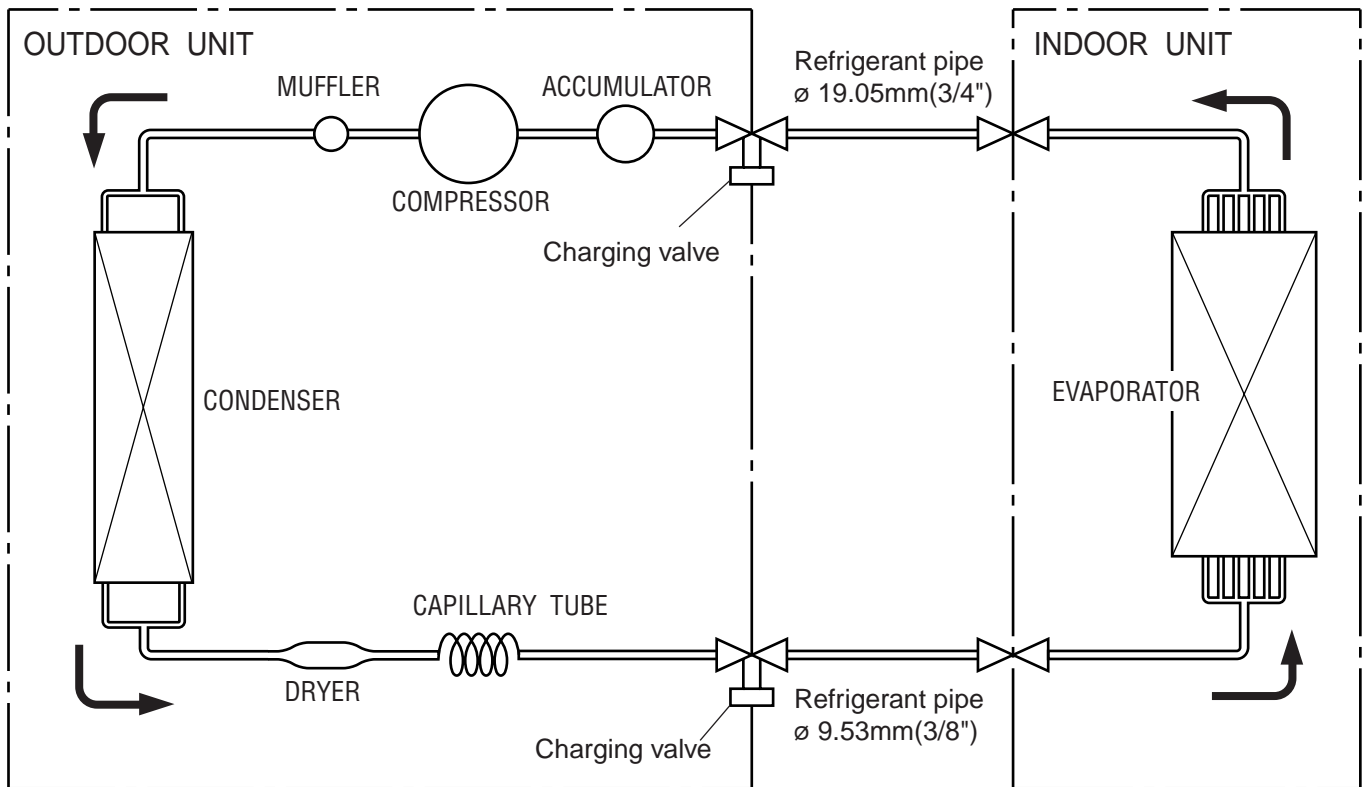
FAN MOTOR CAPACITOR	10.0 $\mu$ F
---------------------	--------------



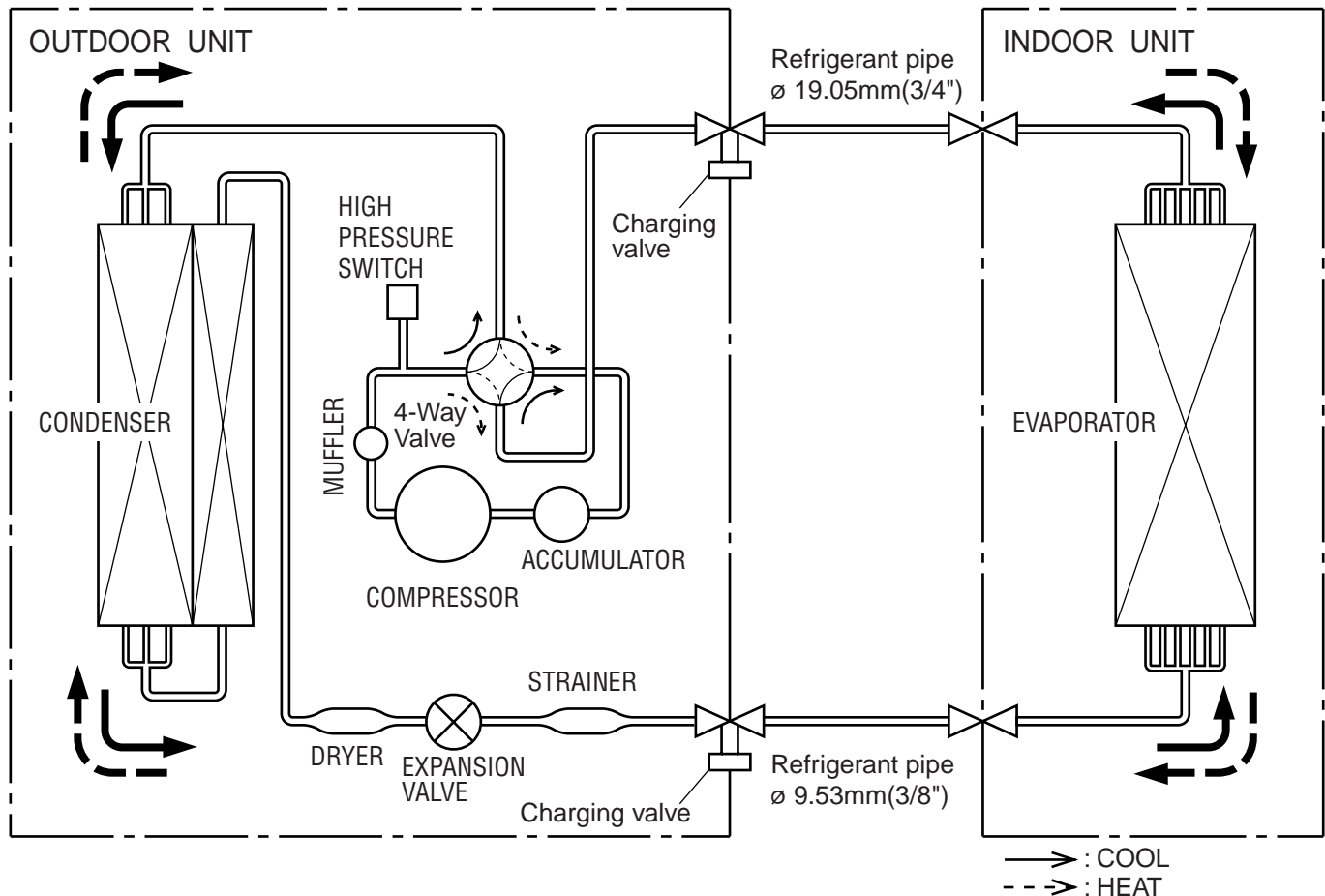
FAN MOTOR CAPACITOR	3.5 $\mu$ F
---------------------	-------------

# REFRIGERANT SYSTEM DIAGRAM

Models : ARY36ALC3 / AOY36ACG3L



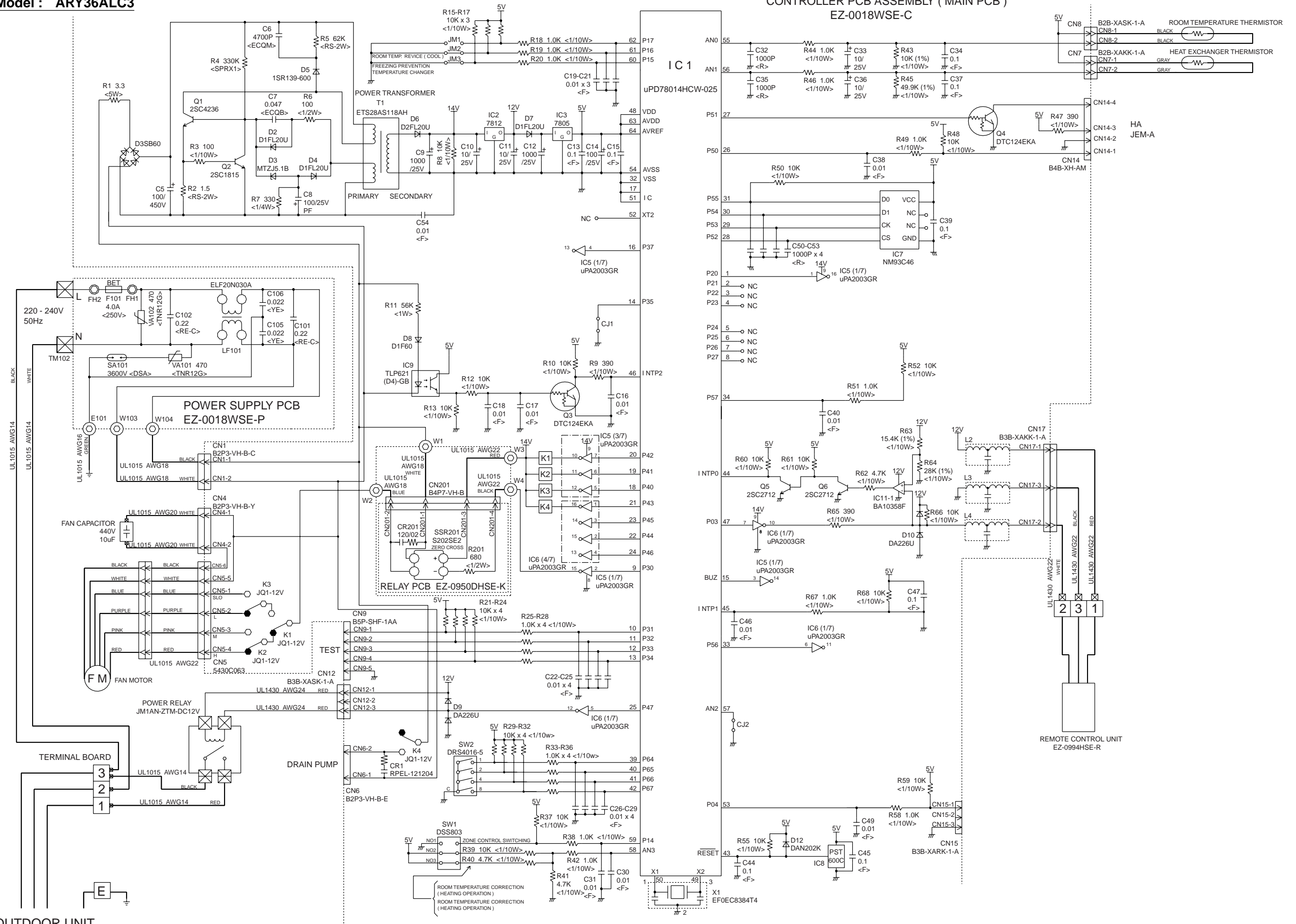
Models : ARY36RLC3 / AOY36RCG3L



# INDOOR PRINTED CIRCUIT BOARD CIRCUIT DIAGRAM

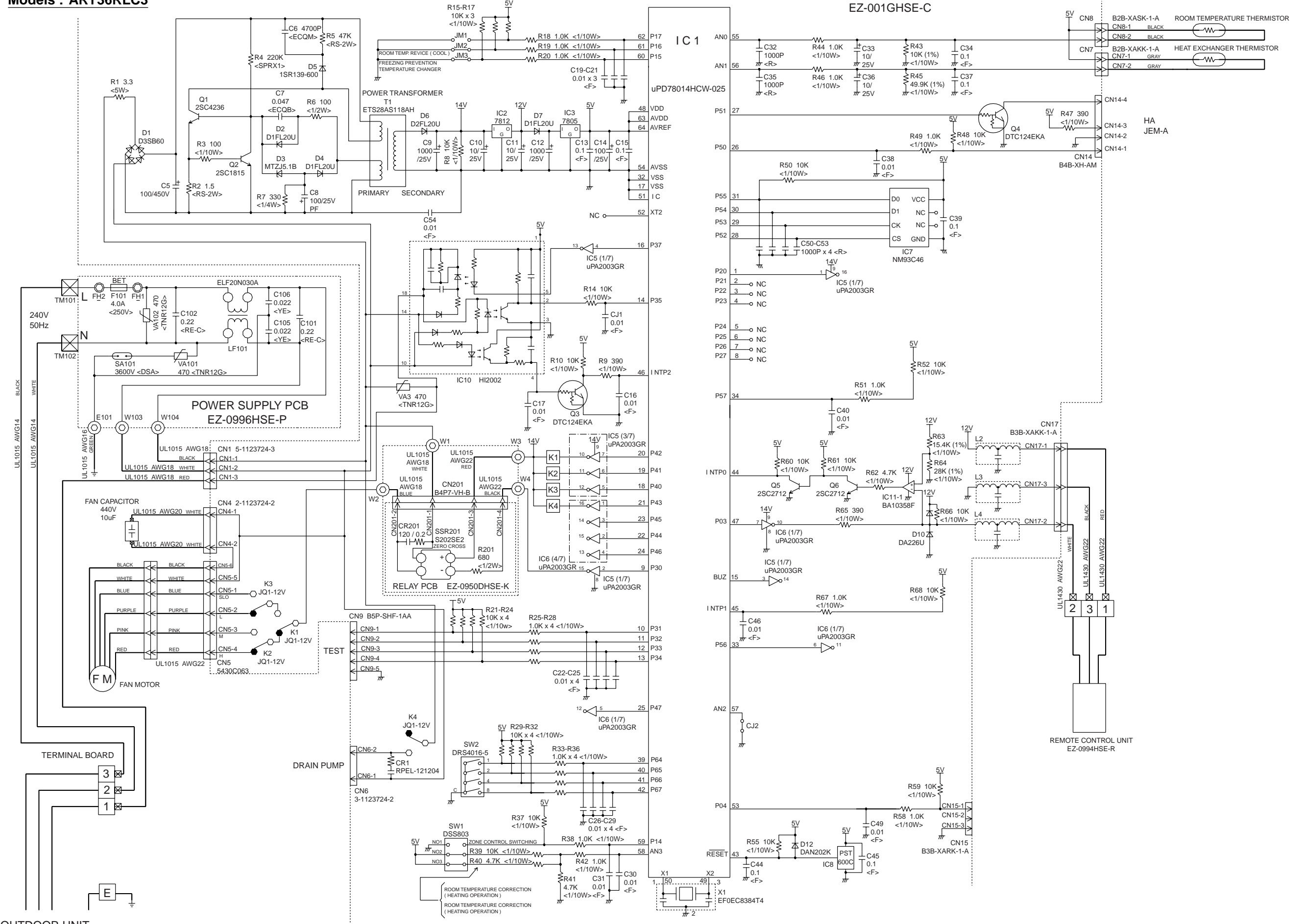
Model : **ARY36ALC3**

CONTROLLER PCB ASSEMBLY ( MAIN PCB )  
EZ-0018WSE-C



OUTDOOR UNIT

Models : ARY36RLC3

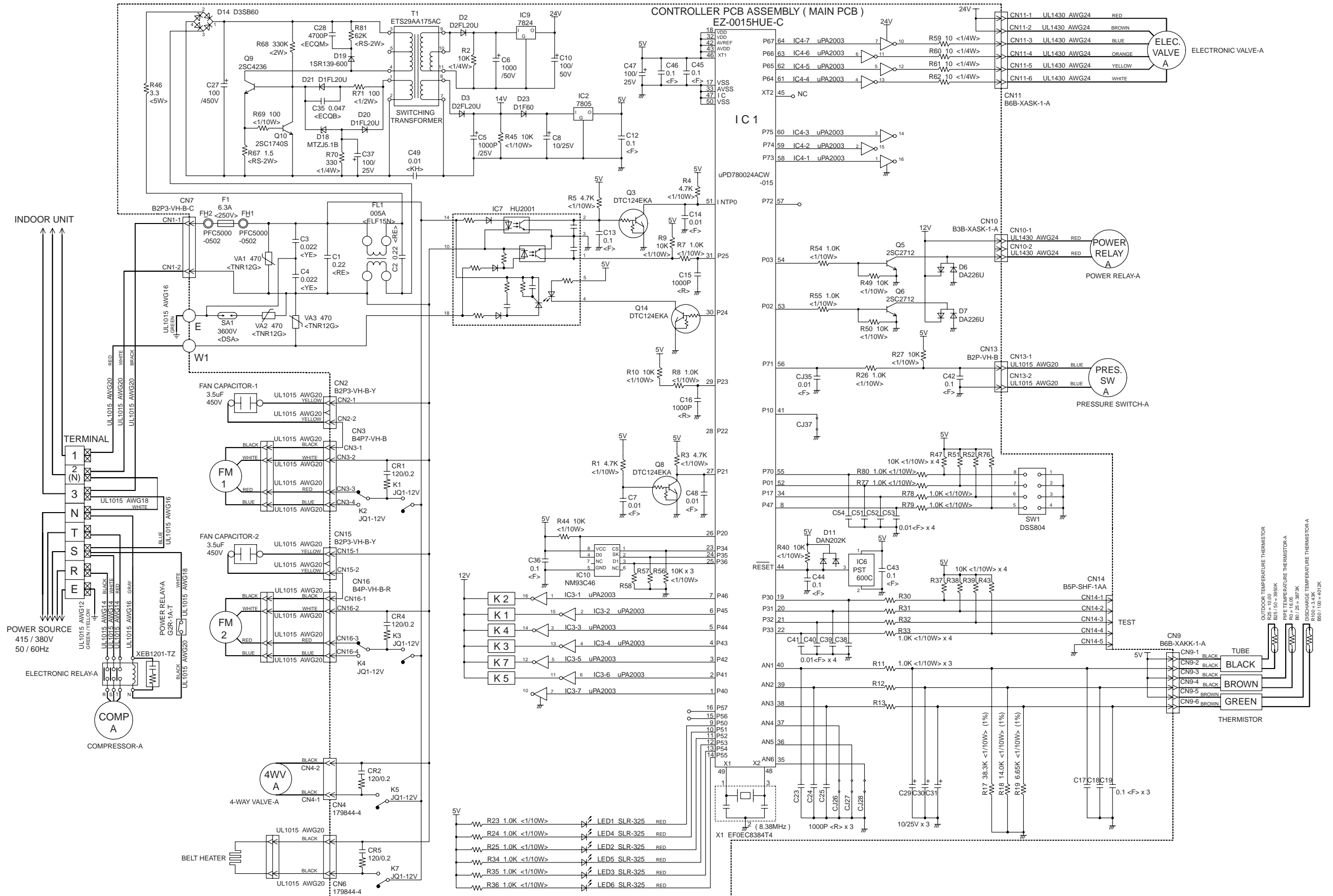


OUTDOOR UNIT



# OUTDOOR PRINTED CIRCUIT BOARD CIRCUIT DIAGRAM

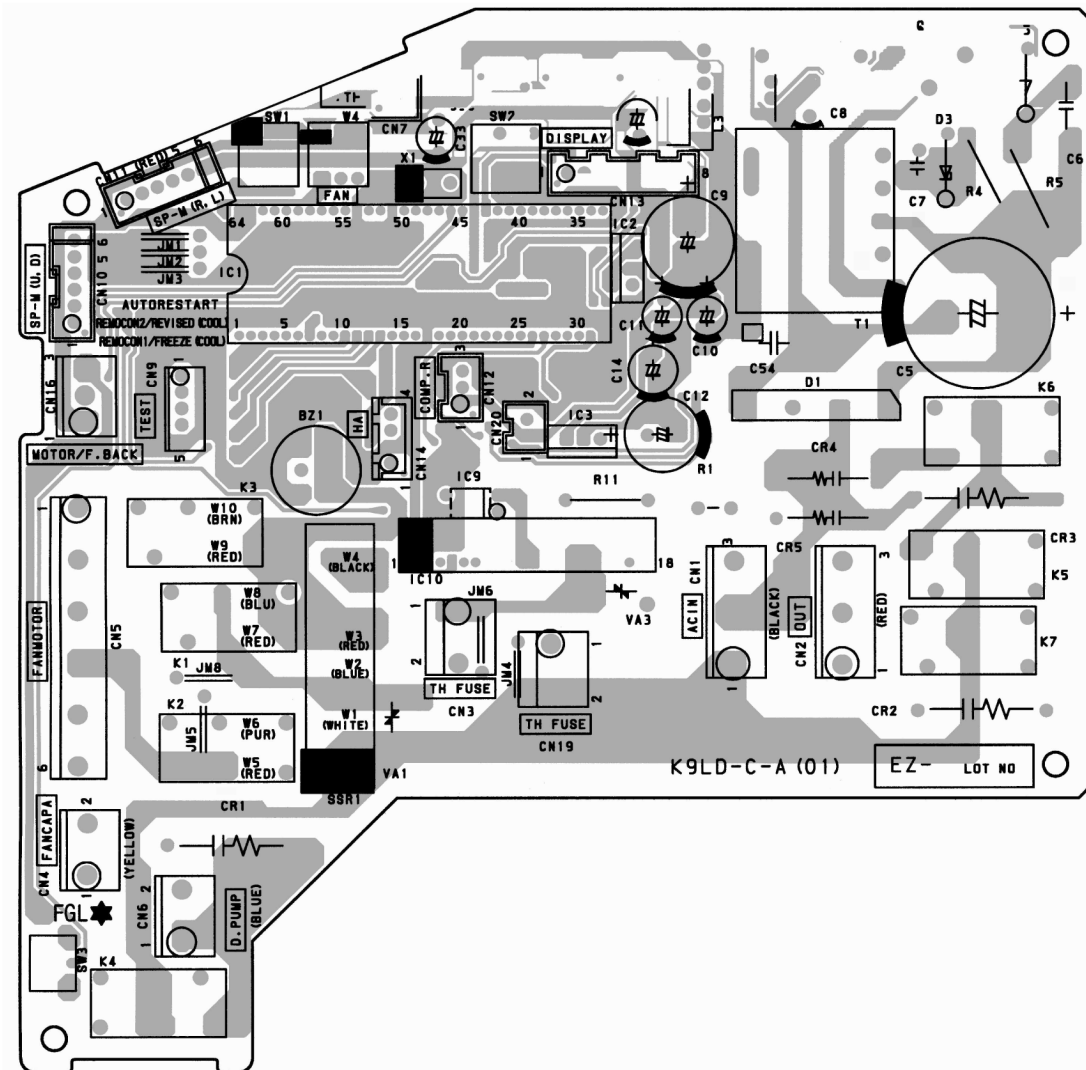
Model : AOY36RCG3L



# INDOOR P.C. BOARD LAYOUTS

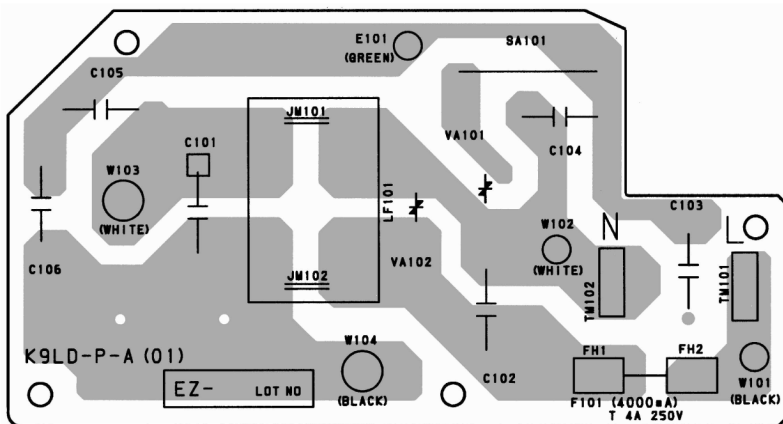
## CONTROLLER PCB ASSEMBLY (MAIN PCB)

(Viewed from the component side)



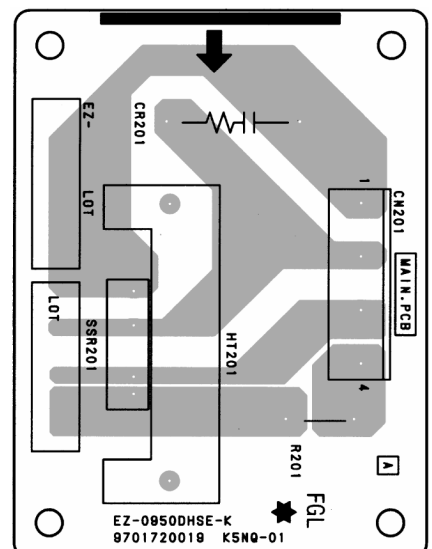
## FILTER PCB ASSEMBLY

(Viewed from the component side)



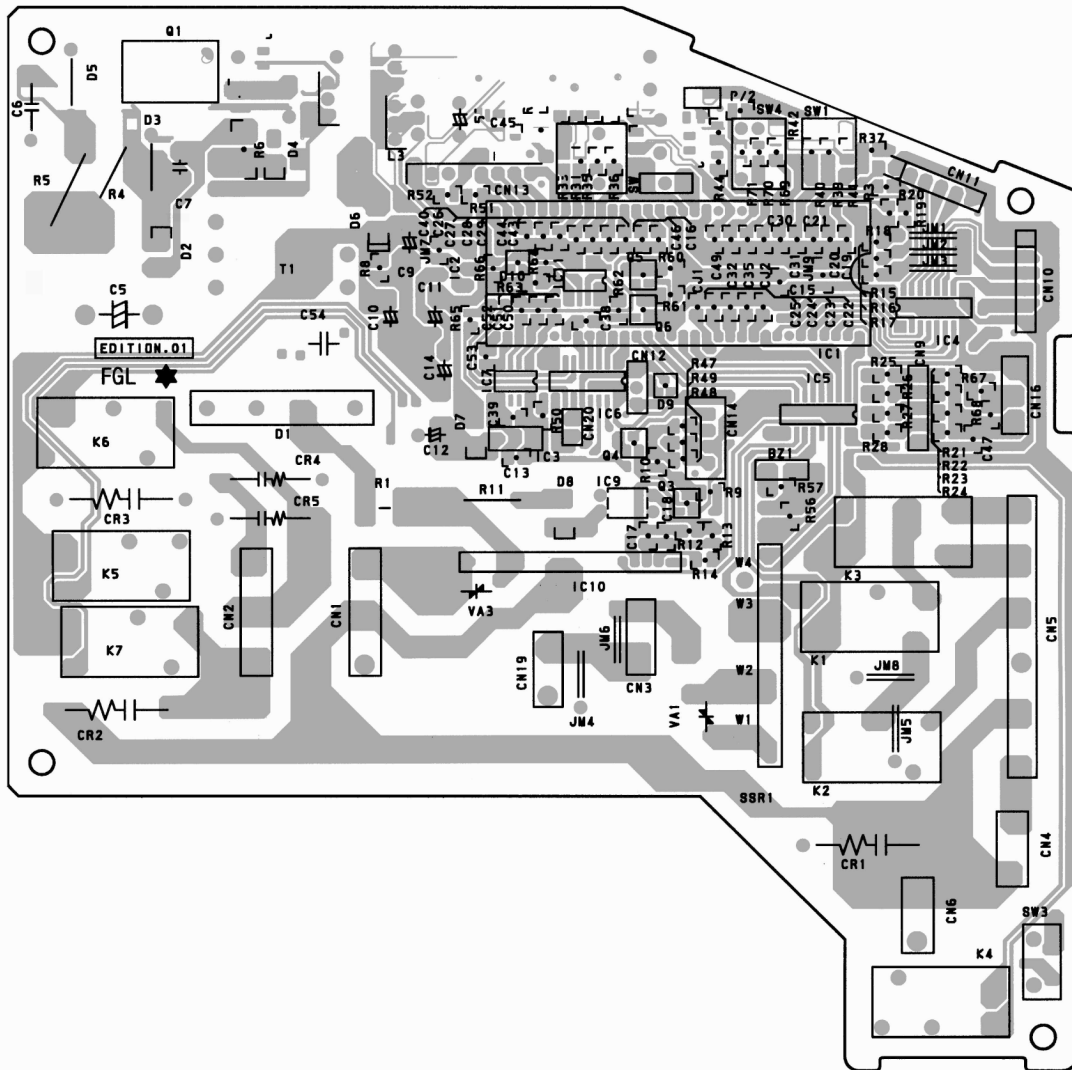
## RELAY PCB ASSEMBLY

(Viewed from the component side)



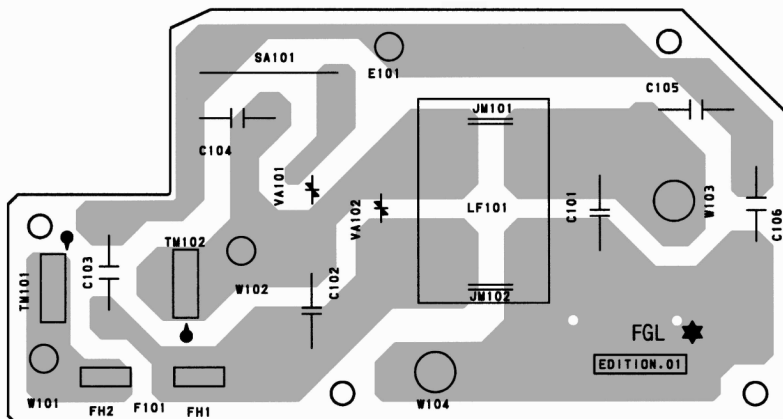
## CONTROLLER PCB ASSEMBLY (MAIN PCB)

(Viewed from the solder side)



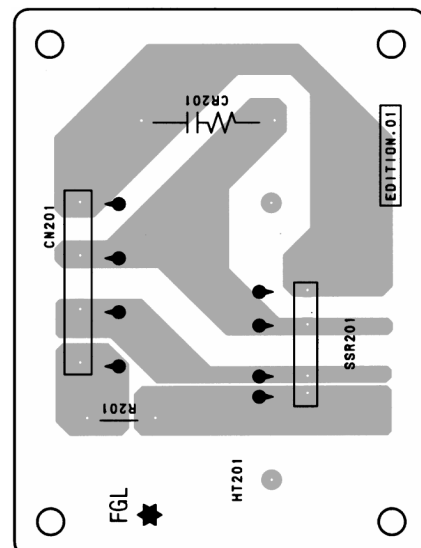
## FILTER PCB ASSEMBLY

(Viewed from the solder side)



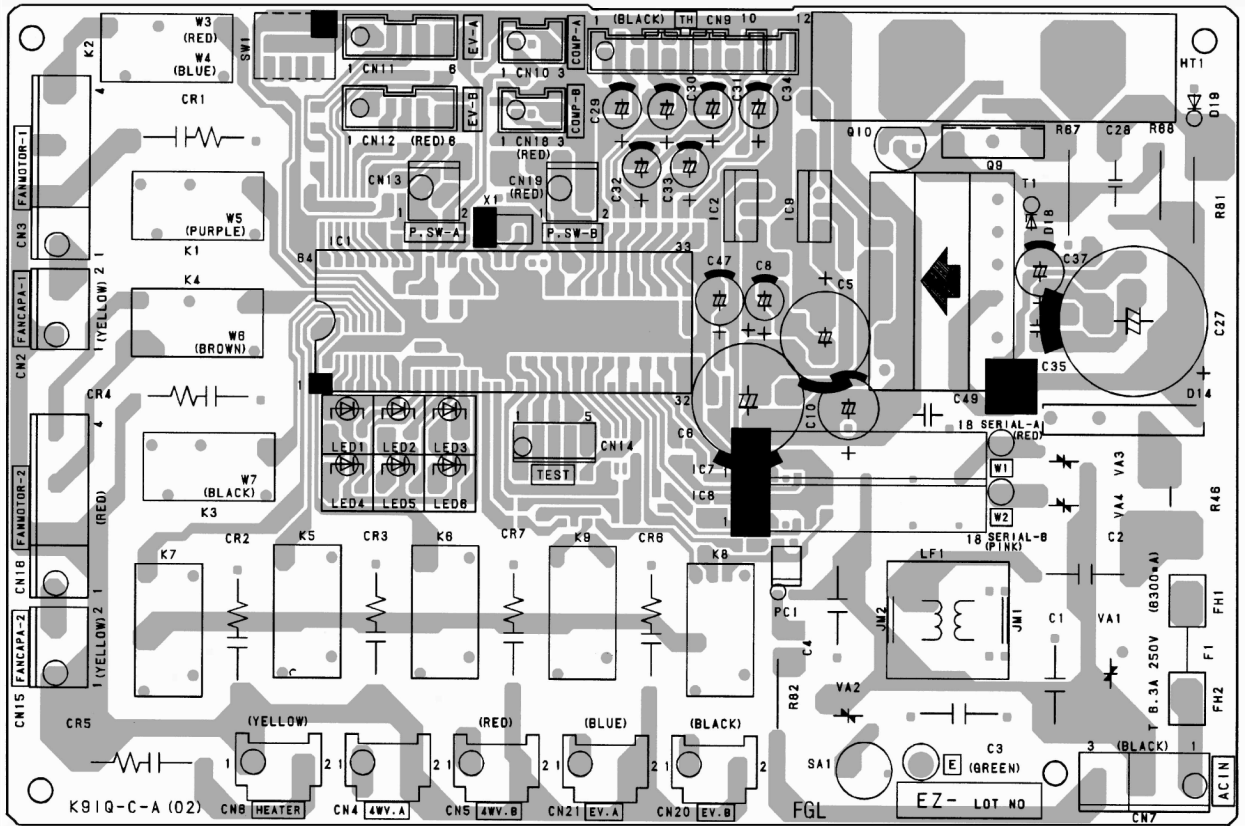
## RELAY PCB ASSEMBLY

(Viewed from the solder side)

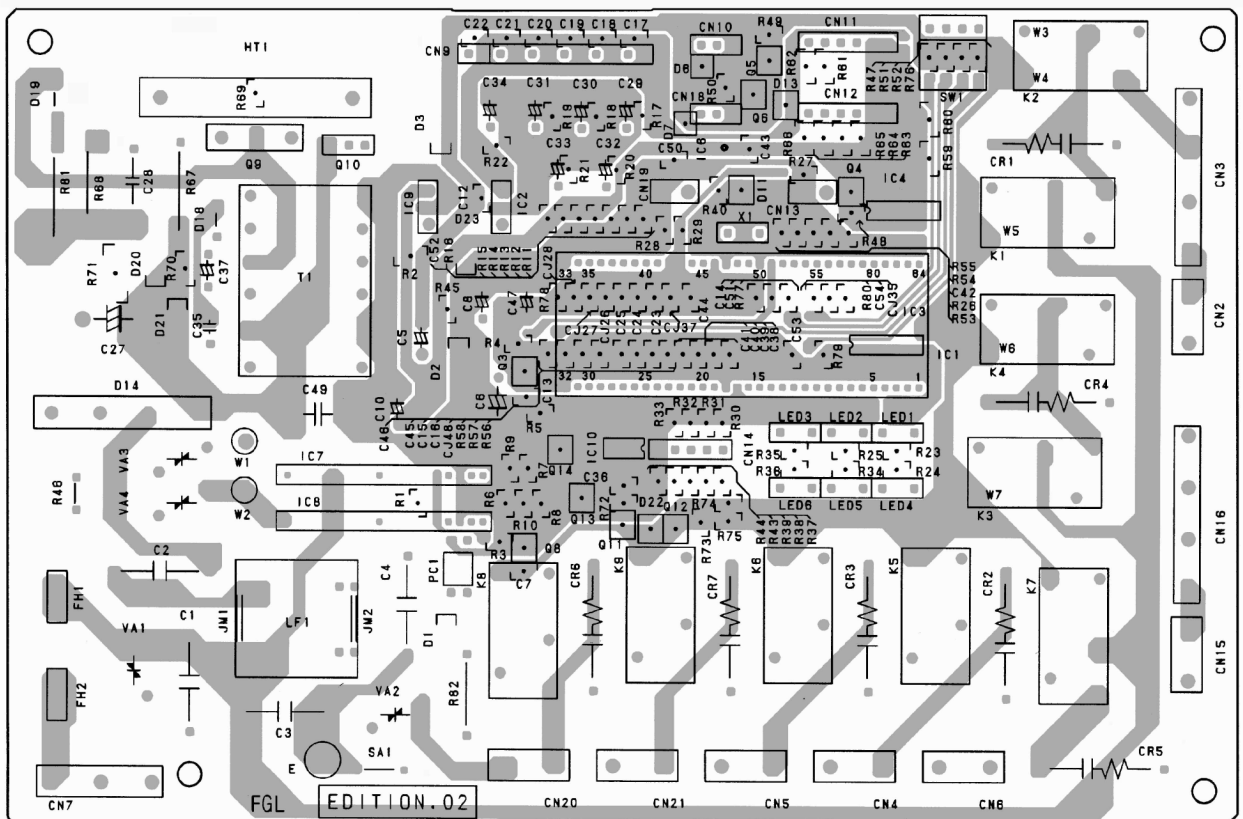


# OUTDOOR P.C. BOARD LAYOUTS

(Viewed from the component side)

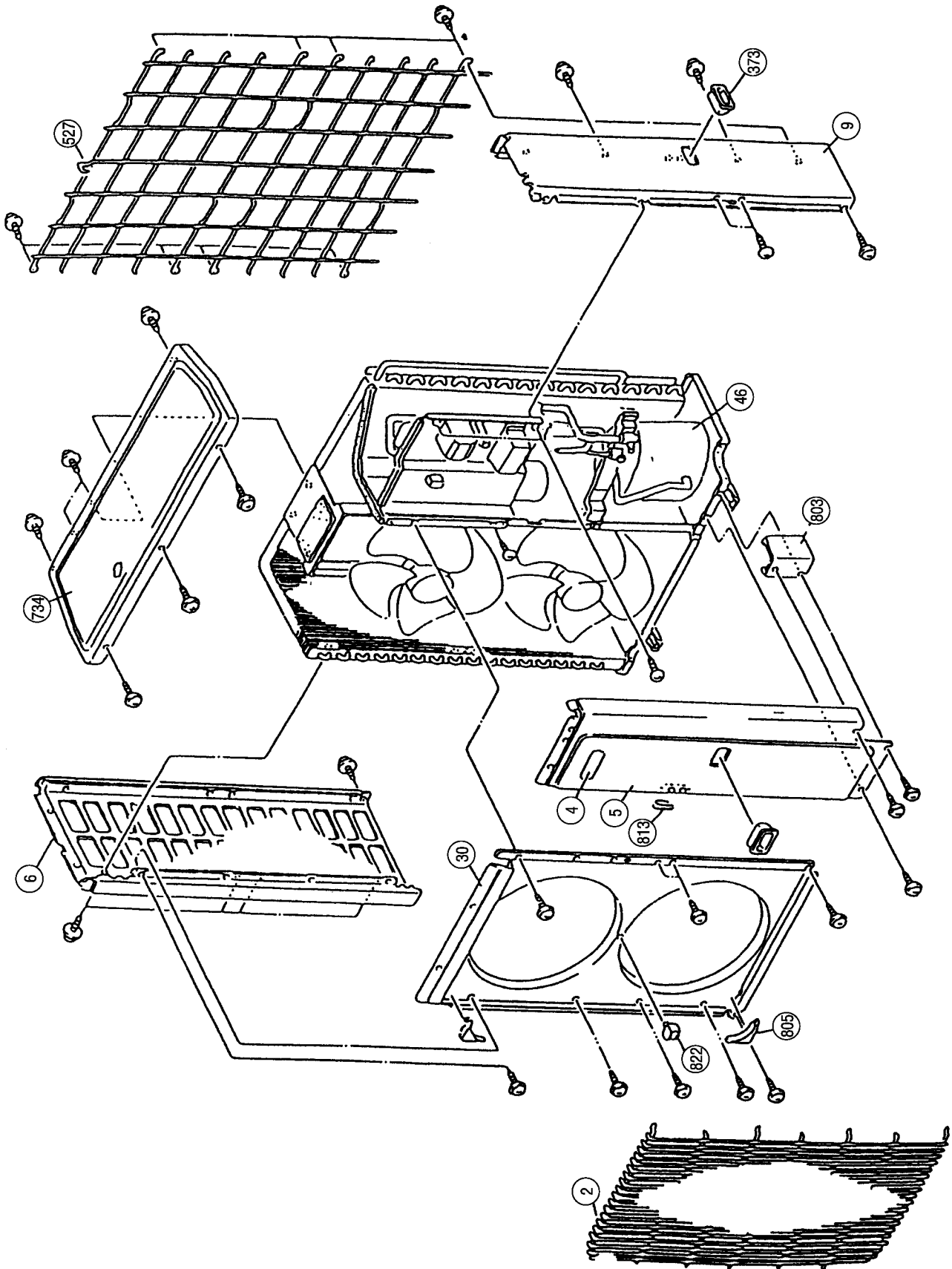


(Viewed from the solder side)

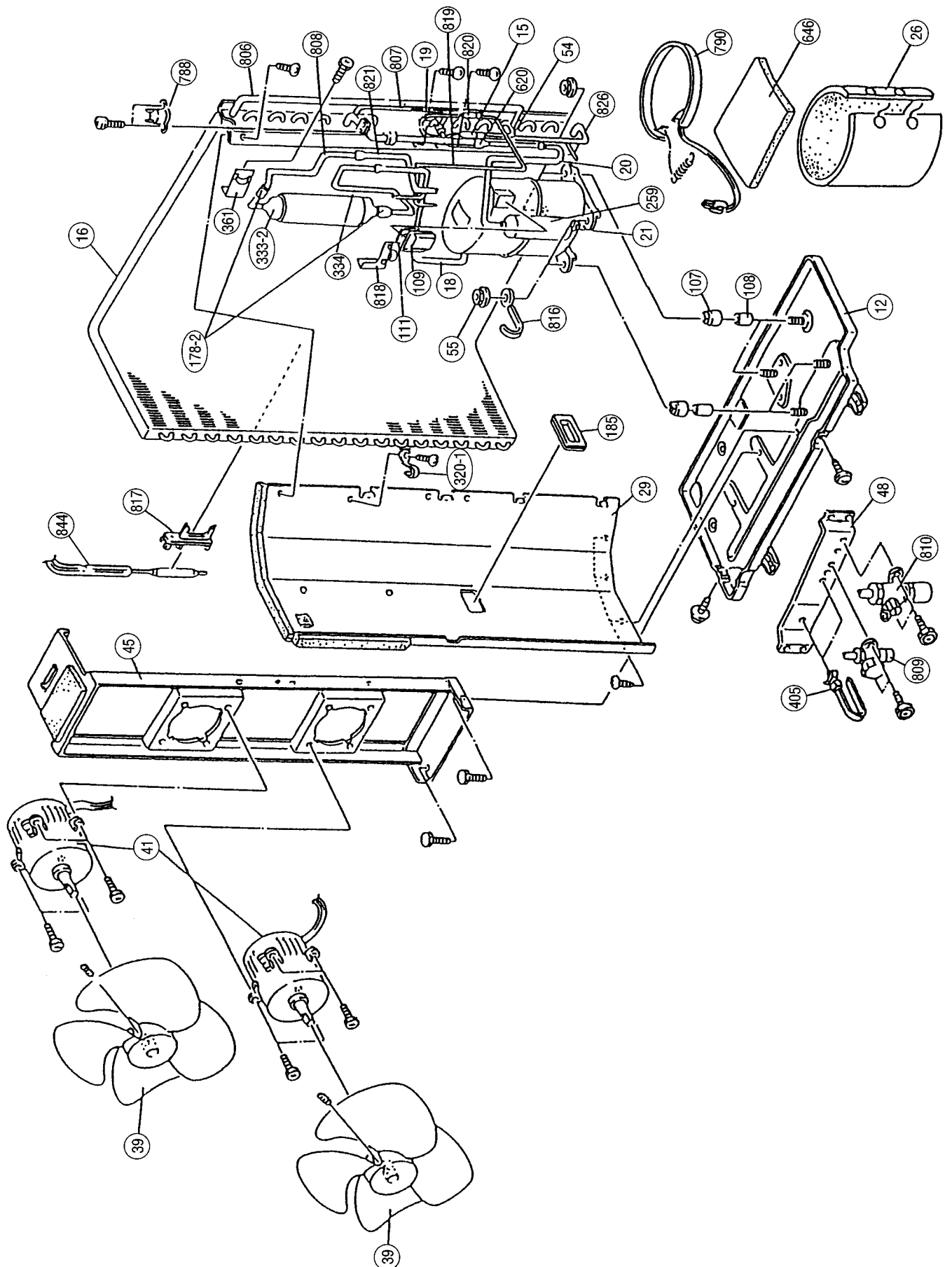


# DISASSEMBLY ILLUSTRATION

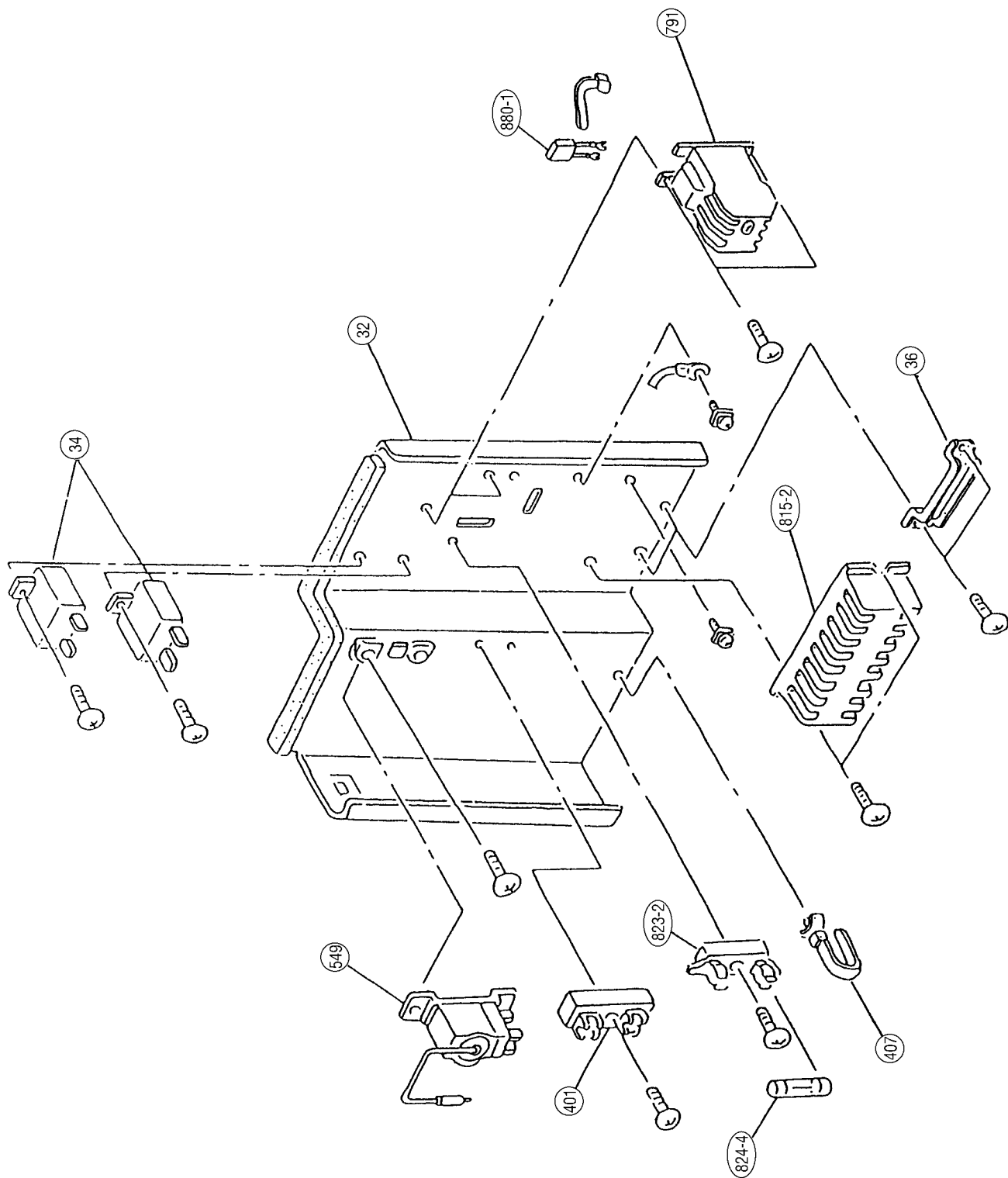
Models : AOY36ACG3L  
AOY36RCG3L



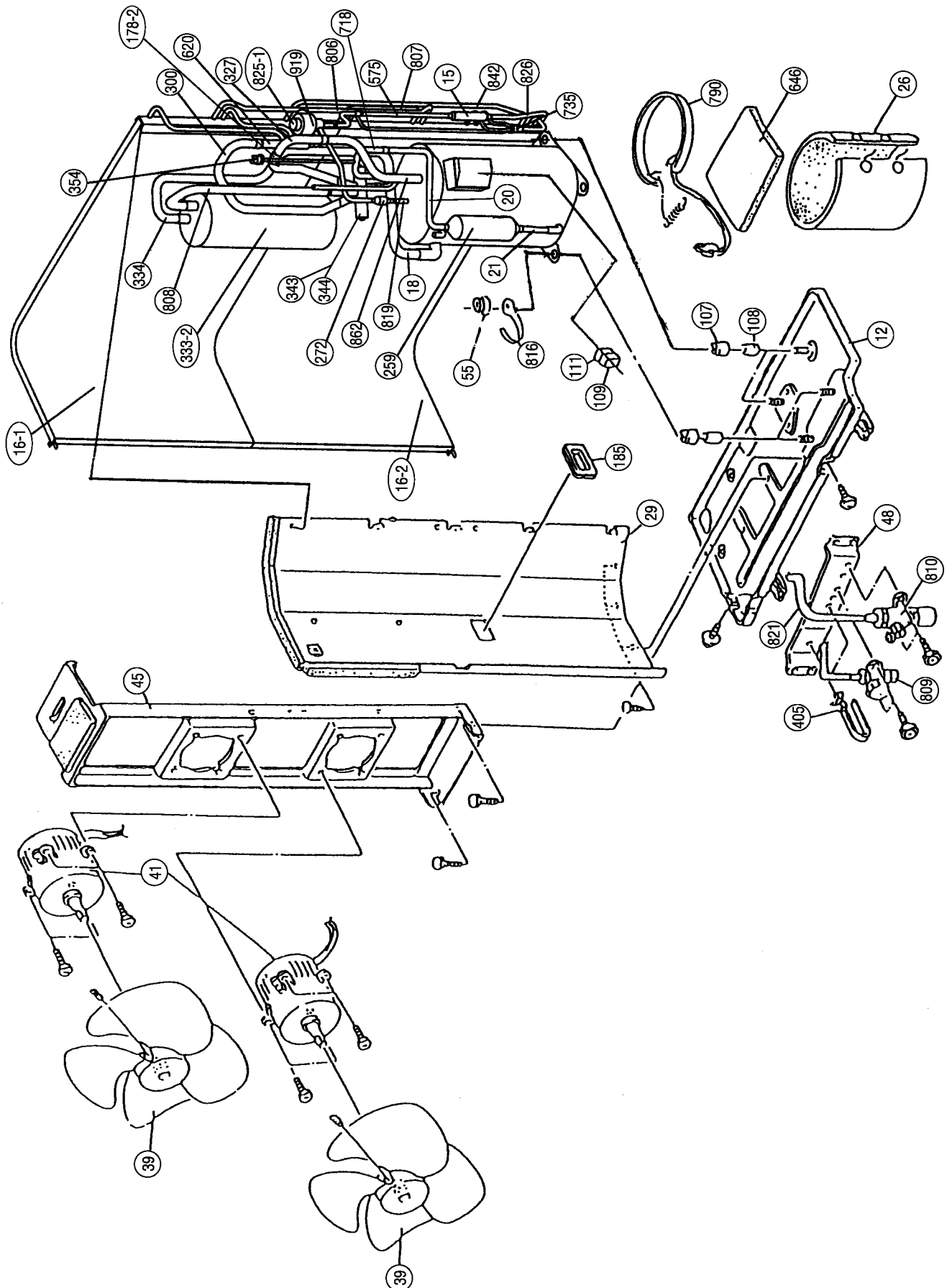
Model : AOY36ACG3L



Model : AOY36ACG3L

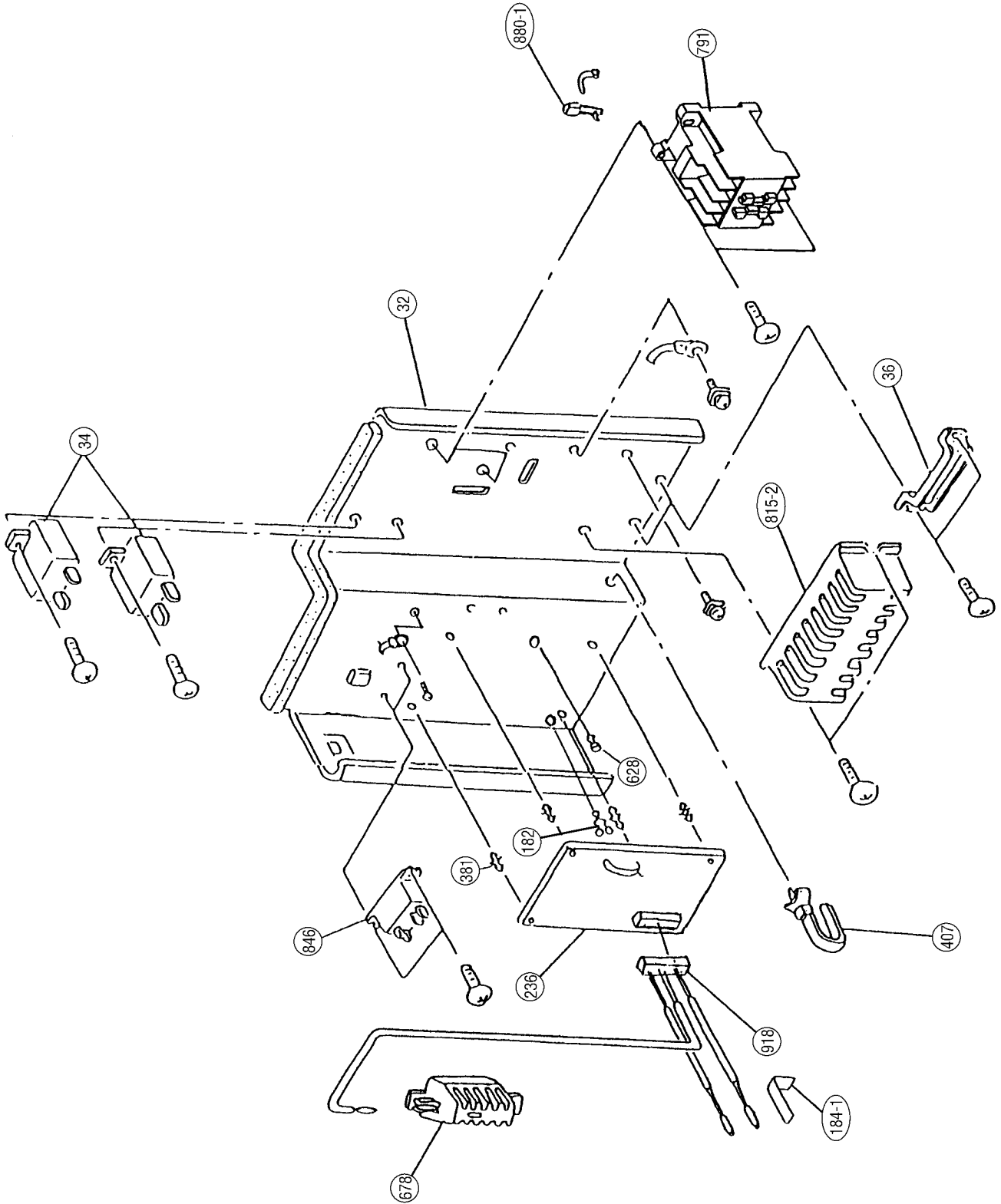


**Model : AOY36RCG3L**

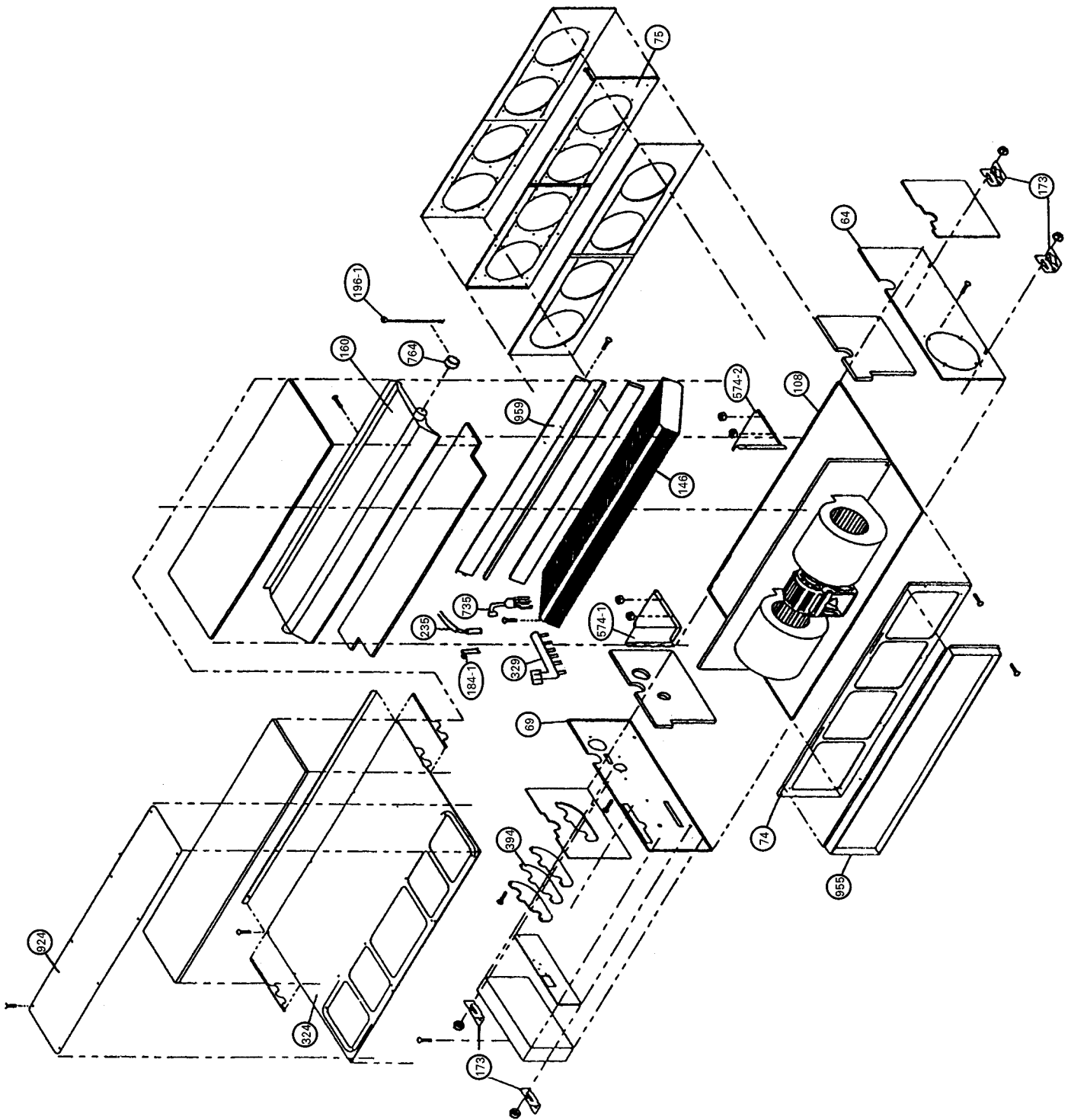




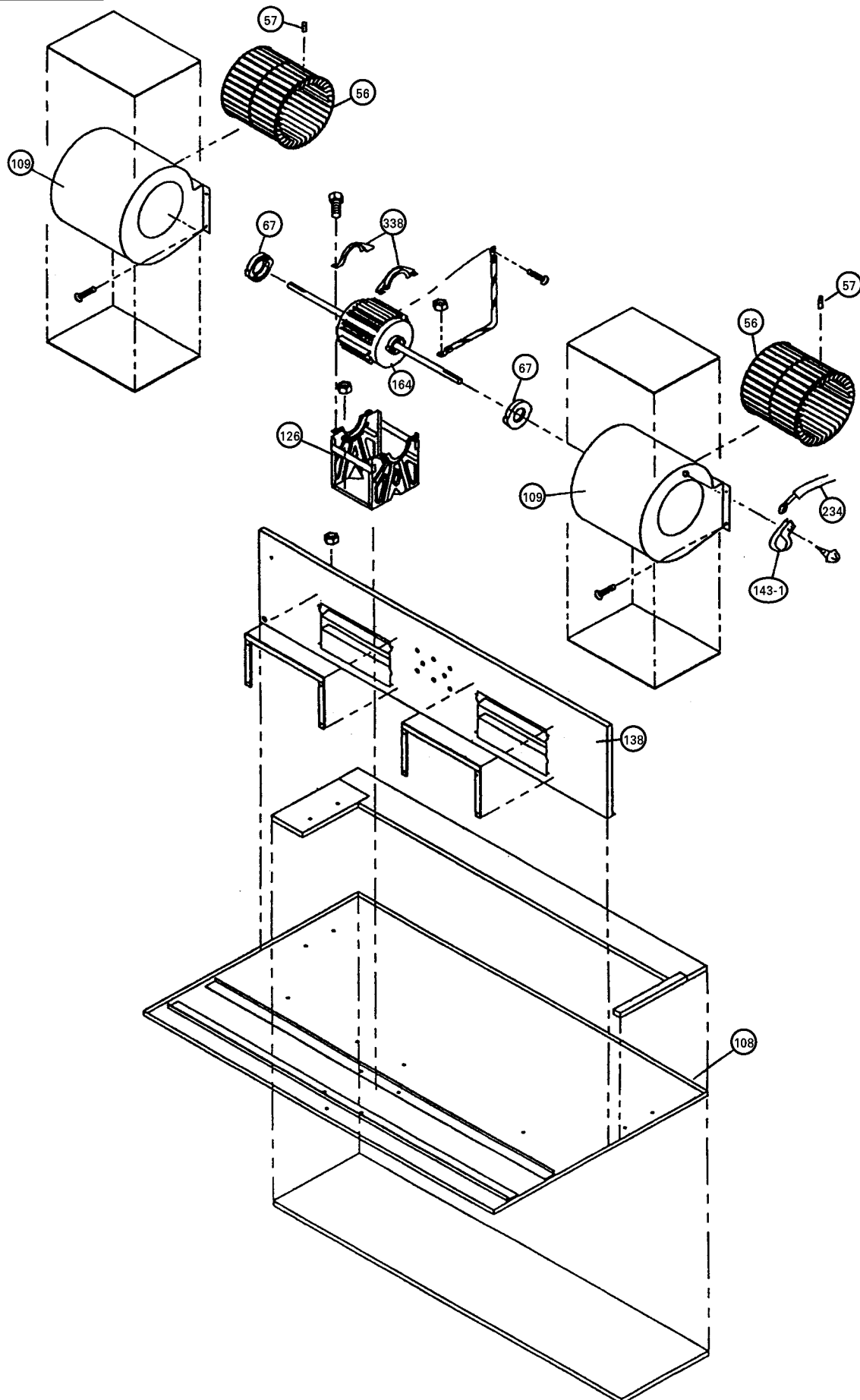
Model : AOY36RCG3L



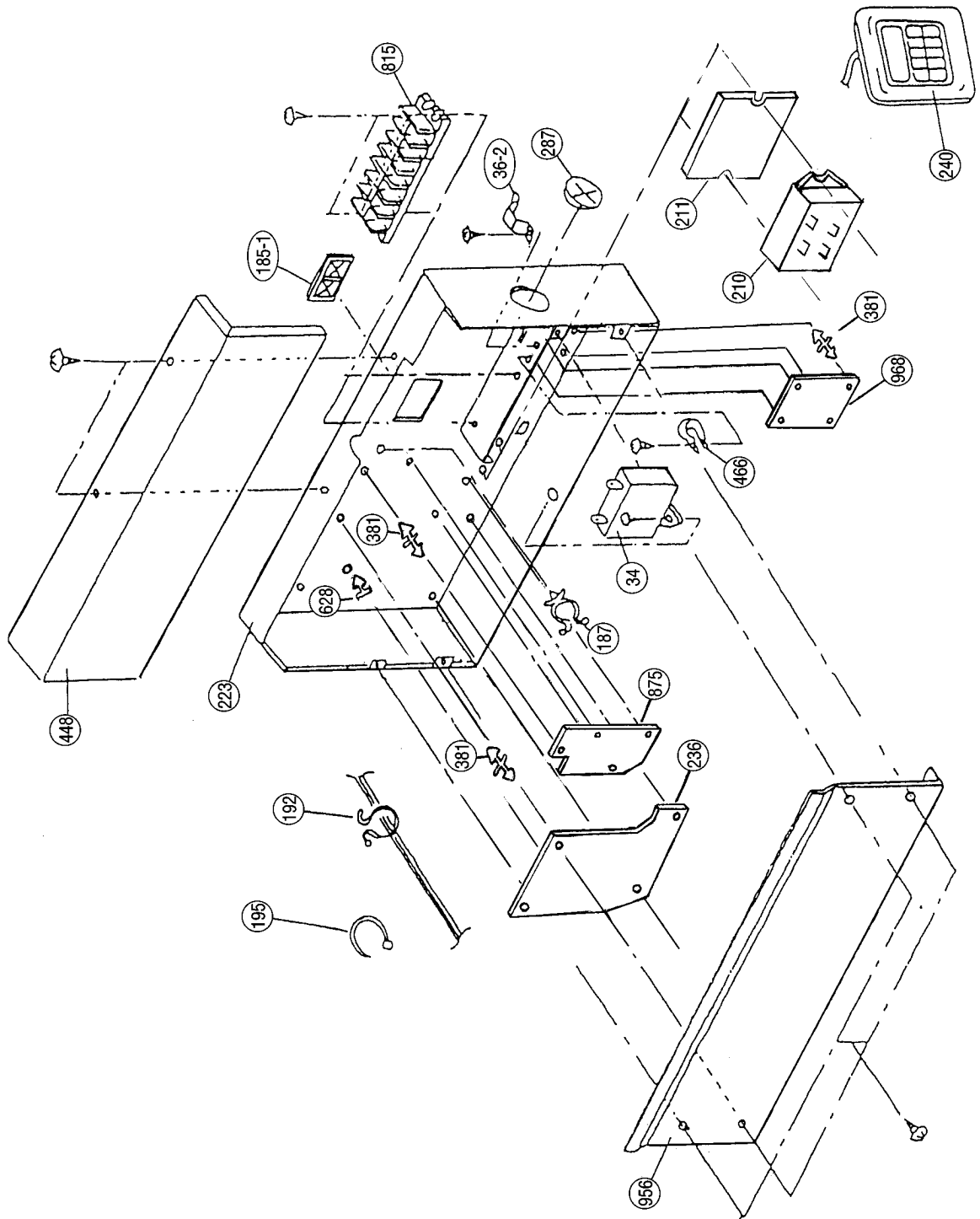
Models : ARY36ALC3  
ARY36RLC3



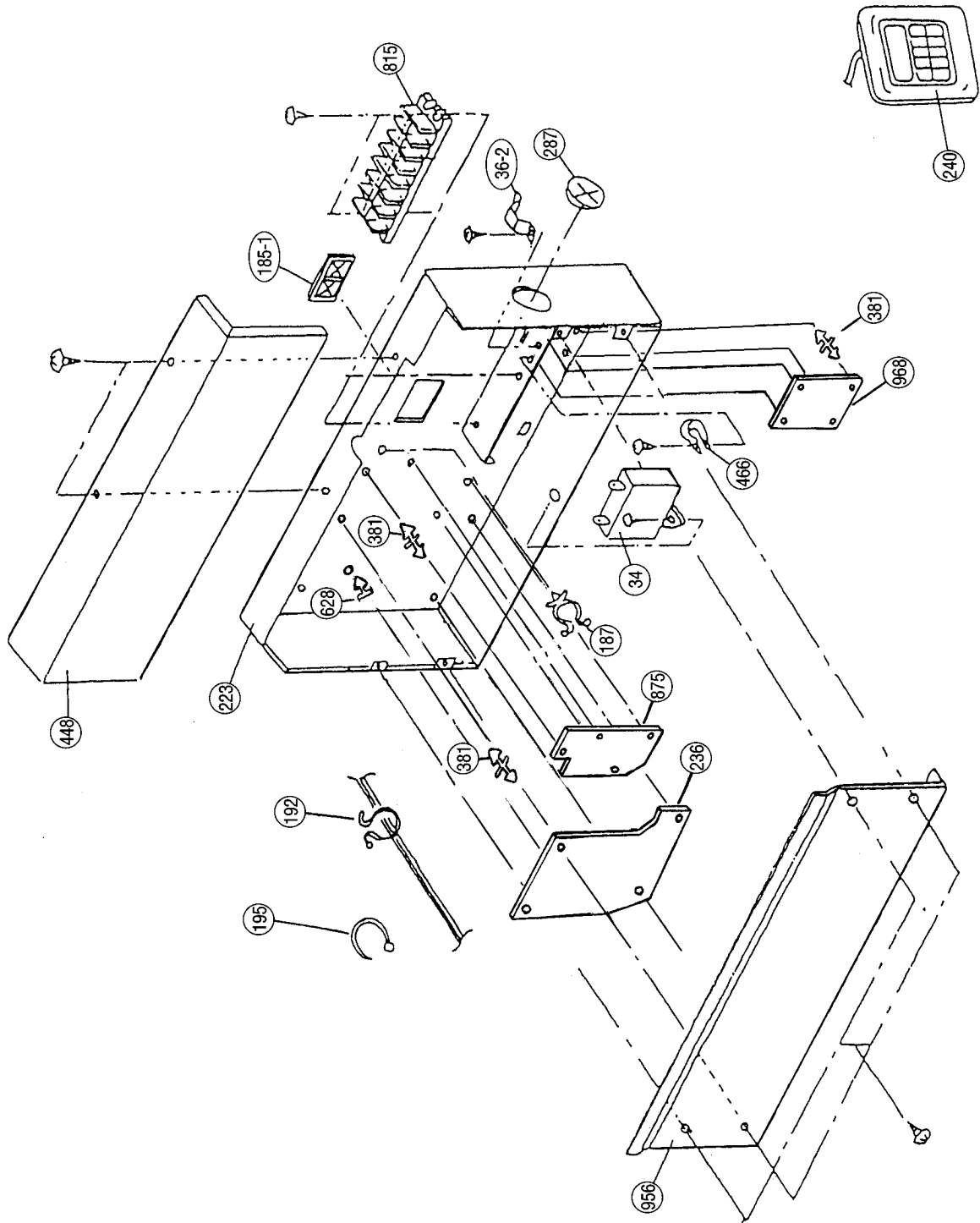
Models : ARY36ALC3  
ARY36RLC3



Model : ARY36ALC3



Model : ARY36RLC3



# PARTS LIST

When you order parts, please make a photocopy of this page and fill the number of the parts in the "Order" column.

## INDOOR UNIT

Ref. No.	Description	Part No.		Ord. Q'ty	Ref. No.	Description	Part No.		Ord. Q'ty
		ARY36ALC3	ARY36RLC3				ARY36ALC3	ARY36RLC3	
34	Capacitor (Fan Motor)	9704305053	9704305053		223	Control Box Metal Assy	9356558005	9356558005	
36-2	Cord Holder Metal	9356362008	9356362008		234	Thermistor Assy-Room	9703299056	9703299056	
56	Sirocco Fan Assy	9356531022	9356531022		235	Thermistor Assy-Pipe	9703297045	9703297045	
57	Hex. Socket Screw	313616213202	313616213202		236	Controller PCB Assy	9702349141	9702349134	
64	Cabinet-Left Metal	9356551006	9356551006		240	Remote Control Unit	9703173066	9703173059	
67	Rubber (Vibration-proof)	313659068604	313659068604		287	Cap (Power)	9352173011	9352173011	
69	Cabinet-Right Metal	9356547009	9356547009		324	Top Plate	9356546002	9356546002	
74	Intake Panel	9356537000	9356537000		329	Coupling Pipe Assy	9357005003	9357005003	
75	Outlet Panel Assy	9356538007	9356538007		338	Motor Fixture	9356536003	9356536003	
108	Base Assy	9356518009	9356518009		381	Locking Spacer	313209391506	313209391506	
109	Casing Assy	9356527001	9356527001		394	Pipe Fixing Plate	9356554007	9356554007	
126	Motor Fixing Table Assy	9356533002	9356533002		448	Control Box Metal-B	9356560008	9356560008	
138	Separate Wall	9356523003	9356523003		466	Clamp NK-4N	313714328805	313714328805	
143-1	Clamp NK-3N	313361274700	313361274700		574-1	Eva. Fixing Plate-R	9356521009	9356521009	
146	Evaporator Assy	9356524017	9356524017		574-2	Eva. Fixing Plate-L	9356522006	9356522006	
160	Drain Pan Assy	9356542028	9356542028		628	Locking Spacer	313005446558	313005446558	
164	Fan Motor Assy-IN	9600830017	9600830017		735	Distributor Assy	9357004006	9357004006	
173	Hanger Bracket	9356563009	9356563009		764	Drain Cap	9356541007	9356541007	
184-1	Thermo. Spring-A	313728262708	313728262708		815	Terminal-7P	9703403019	9703403019	
185-1	Rubber Bushing	9357376004	9357376004		875	Filter PCB Assy	9703171024	9703171017	
187	Clamp No.1219	313361271706	313361271706		924	Intake Seal Plate	9356553000	9356553000	
192	Clamp No.062	313361271402	313361271402		955	Square Flange Assy	9356555004	9356555004	
195	Clamp SKB-100	313361275805	313361275805		956	Control Box Metal-E	9356900002	9356900002	
196-1	Clamp SKB-3M	312300787605	312300787605		959	Eva. Seal Plate	9356540000	9356540000	
210	Main Relay	9356781007	—		968	Relay PCB Assy	9701594030	9701594030	
211	Cushion Rubber	313806328306	—						

When you order parts, please make a photocopy of this page and fill the number of the parts in the "Order" column.

**OUTDOOR UNIT**

Ref. No.	Description	Part No.		Ord. Q'ty	Ref. No.	Description	Part No.		Ord. Q'ty
		AOY36ACG3L	AOY36RCG3L				AOY36ACG3L	AOY36RCG3L	
2	Fan Cover	9352159015	9352159015		361	Accumulator Support	9355351003	—	
4	Emblem-Rear	9351355005	9351355005		373	Grip	9352157004	9352157004	
5	Cabinet-A, Painted	9352146015	9352146015		381	Locking Spacer	—	313209391506	
6	Cabinet-C, Painted	9352149016	9352149016		401	Terminal-2P	9701971015	—	
9	Cabinet-B, Painted	9352147012	9352147012		405	Clamp No. 1763	313816345304	313816345304	
12	Base Assy, Painted	9352136016	9352136016		407	Clamp (Cable) No. 1259	313739340109	313739340109	
15	Dryer	9368113032	9368111014		527	Protection Net	9352163012	9352163012	
16	Condenser Assy	9352128011	—		549	Thermostat-Outdoor	9352426001	—	
16-1	Condenser-A Assy	—	9353023001		575	Condensing Pipe-C	—	9363466003	
16-2	Condenser-B Assy	—	9353024008		620	Inlet Pipe (Cond.) Assy	9355316019	9352741005	
18	Suction Pipe Assy	9368087005	9368087005		628	Locking Spacer-B	—	313005446558	
19	Capillary Tube	9352439001	—		646	Compressor Cover-B	313986355101	313986355101	
20	Discharge Pipe	9368089009	—		678	Bracket (Thermistor)	—	313557406106	
20	Discharge Pipe Assy	—	9368209001		718	Discharge Pipe-C Assy	—	9363767001	
21	Discharge Pipe-B	9353209009	9353209009		734	Cabinet Top Plate	9352161018	9352161018	
26	Compressor Cover-A	9368090012	9368090012		735	Distributor Assy	—	9354119000	
29	Separate Wall Assy	9358705018	9358705018		788	Thermostat-Overheat	9354061002	—	
30	Blower Cover, Painted	9352151019	9352151019		790	Belt Heater	9361140103	9361140103	
32	Control Box Metal	9352134012	9352134012		791	Magnetic Relay	9363277005	9363277005	
34	Capacitor (Fan Motor)	9357965024	9357965024		803	Cabinet-D, Painted	9352150012	9352150012	
36	Cord Holder Metal	9356934007	9356934007		805	Blower Cover Corner	9352160011	9352160011	
39	Propeller Fan Assy	9300855013	9300855013		806	Cond. Pass Pipe-A	9352294006	—	
41	Fan Motor Assy-Out	9600832028	9600832028		806	Cond. Pass Pipe-A Assy	—	9355736008	
45	Bracket (Motor) Assy	9352141003	9352141003		807	Cond. Pass Pipe-B	—	9354112001	
46	Compressor Assy	9368020002	9368020002		807	Cond. Pass Pipe-B Assy	9353090010	—	
48	Bracket (Coupler) Assy	9355281010	9355281010		808	Inlet Pipe (Accum.) Assy	9352556005	9363464009	
54	Condensing Pipe-A	9352296000	—		809	Ball Valve-A	9357976006	9357976006	
55	Special Nut M8	313252257701	313252257701		810	Ball Valve-B	9357982007	9357982007	
107	Rubber Seat-A	9368293017	9368293017		813	Cabinet Hook	9352148002	9352148002	
108	Sleeve-A	9351875046	9351875046		815-2	Terminal 8P	9363276022	9363276022	
109	Terminal Cover	9351875053	9351875053		816	Wire Clamp Metal	313584219902	313584219902	
111	Terminal Packing	9351875060	9351875060		817	Thermostat Fixture	9352164019	—	
178-2	Capillary Holder Rubber	313394274808	313394274808		818	Accumulator Support-B	9355350006	—	
182	Clamp No. 249	—	313361271505		819	Valve-A Coupl. Pipe	9352298004	9363457001	
184-1	Thermo. Spring-A	—	313728262708		820	Joint Pipe (Capillary)	9352299001	—	
185	Rubber Bushing	313005066051	313005066051		821	Joint Pipe (Valve-B)	9352284007	9352284007	
236	Controller PCB Assy	—	9703230059		822	Fan Cover Fixture-A	9352158018	9352158018	
259	Muffler	9368082000	9368082000		823-2	Fuse Holder	0500063024	—	
272	Strainer Assy	—	9354139008		824-4	Fuse	0600222529	—	
300	Suction Pipe-C	—	9352759000		825-1	Expansion Valve-MAIN	—	9363454017	
320-1	Wire Clamp Metal	313483219905	—		826	Condensing Pipe-B	9352297007	9363465006	
327	Suction Pipe-A	—	9352754005		842	Cond. Pass Pipe-C	—	9354111004	
333-2	Accumulator (B)	9301942019	—		844	Wire Assy (Shield)-S	9352307010	—	
333-2	Accumulator Assy (B)	—	9362425001		846	Relay	—	9304375005	
334	Suction Pipe-B	9352557002	9352287008		880-1	Network (C-R)	9700987017	9700987017	
343	Solenoid Coil	—	9359616108		918	Thermistor Assy	—	9703129025	
344	4-Way Valve	—	9353055002		919	Expansion Valve Coil	—	9363467017	
354	Pressure Switch	—	9704045003						

When you order parts, please make a photocopy of this page and fill the number of the parts in the "Order" column.

[INDOOR UNIT]

CONTROLLER PCB ASSEMBLY (Ref. No.236) [ ] : ARY36ALC3 Only ( ) : ARY36RLC3 Only

Ref. No.	Description	Part No.	Ord. Q'ty	Ref. No.	Description	Part No.	Ord. Q'ty
IC1	IC uPD78014HCW-025	9700856023		R45	Res. 1/10W 49.9kohm+-1%	0200279824	
IC2	IC NJM7812FA	0100462104		R63	Res. 1/10W 15.4kohm+-1%	0200279565	
IC3	IC NJM7805FA	0100462081		R64	Res. 1/10W 28kohm+-1%	0201114445	
IC5,6	Xstr Array uPA2003GRE2	0100028041		[CJ1],2	Res. 1/10W 0 ohm	0200212012	
[IC7]	IC NM/FM93C46M8-X	0101622026		JM9	Res. 1/4W 0 ohm	0200230016	
(IC7)	IC BR93LC46RF-E2	0100295016		C5	Cap. Elec. 450V 100uF	0300256060	
IC8	IC PST600CMTR	0101461120		C6	Cap. Plastic 4700pF	0300269091	
[IC9]	Pfotocoupler TLP621(D4)-GB	0000117074		C7	Cap. Plastic 50V 0.047uF	0300169339	
(IC10)	IC HI2002	9701384020		C8	Cap. Elec. 25V 100uF	0301197560	
IC11	IC BA10358FE2	0101846071		C9	Cap. Elec. 25V 1000uF	0301196495	
Q1	Xstr 2SC4236	0000164047		C10,11,33,36	Cap. Elec. 25V 10uF	0301192312	
Q2	Xstr 2SC1815	000002011		C12	Cap. Elec. 25V 1000uF	0301158264	
Q3,4	Xstr DTC124EKA	0000936033		C13,15,34,37,39,44,45,[47]	Cap. Ceramic 50V 0.1uF	0300311752	
Q5,6	Xstr 2SC2712	0000781053		C14	Cap. Elec. 25V 100uF	0301192350	
D1	Diode D3SB60	0000689045		C32,35,50-53	Cap. Ceramic 50V 1000pF	0300308509	
D2,4,7	Diode D1FL20U	0000746519		C16,17,[18],19-31,38,40,46,49,(CJ1)	Cap. Ceramic 50V 0.01uF	0300311738	
D3	Diode MTZJ5.1B	0000852166		C54	Cap. Ceramic 0.01uF	0300209127	
D5	Diode 1SR139-600	0000353120		K1-4	Relay JQ1-12V	9701316014	
D6	Diode D2FL20U	0000906500		W1-4	Lead Wire AWG18/22 4P	9701459025	
[D8]	Diode D1F60	0000208024		SW1	Slide Switch DSS803	9701392018	
[D9],10	Diode DA226U	0000625036		SW2	Rotary Switch DRS4016-5	9701694013	
D12	Diode DAN202K	0000684019		CR1	CR Absorber RPEL-121204-C	9701125012	
R1	Res. Cement 5W 3.3ohm+-10%	0200153148		T1	Switching Transformer ETS28AS118AH	9702727017	
R2	Res. Metal Oxide 2W 1.5ohm+-5%	0201107119		(VA3)	Varistor TNR12G471K	0000038010	
R3	Res. 1/10W 100ohm+-5%	0200212500		L2-4	EMI Filter EXCEMT103DT	0400406396	
[R4]	Res. Carbon 1W 330kohm+-5%	0200111391		JM2-4,6	Wire 0.6dia. L=10mm	9700025016	
(R4)	Res. Carbon 1W 220kohm+-5%	0200111353		X1	Ceramic Resonator EF0EC8384T4	9701261017	
[R5]	Res. Metal Oxide 2W 62kohm+-5%	0201107997		[CN1]	Plug, PCB B2P3-VH-B-C	0500011773	
(R5)	Res. Metal Oxide 2W 47kohm+-5%	0201107652		(CN1)	Plug, PCB 5-1123724-3	0501321635	
R6	Res. 1/2W 100ohm+-5%	0200731506		[CN4]	Plug, PCB B2P3-VH-B-Y	0500011827	
R7	Res. 1/4W 330ohm+-5%	0200708621		(CN4)	Plug, PCB 2-1123724-2	0501321529	
R8,10,[13],[14],15-17,21-24,29-32,37,39,48,50,52,55,59-61,66,68	Res. 1/10W 10kohm+-5%	0200213019		CN5	Plug, PCB 5430C063	0500957026	
R9,47,65	Res. 1/10W 390ohm+-5%	0200212647		[CN6]	Plug, PCB B2P3-VH-B-E	0500011759	
R11	Res. Metal Oxide 1W 560kohm+-5%	0201106662		(CN6)	Plug, PCB 3-1123724-2	0501321536	
[R12],18-20,25-28,33-36,38,42,44,46,49,51,58,67	Res. 1/10W 1kohm+-5%	0200212746		CN7	Plug, PCB B2B-XAKK-1-A	0501045227	
R40,41,62	Res. 1/10W 4.7kohm+-5%	0200212906		CN8	Plug, PCB B2B-XASK-1-A	0501045012	
R43	Res. 1/10W 10kohm+-1%	0200279497		CN9	Plug, PCB B5P-SHF-1AA	0500006069	
				[CN12]	Plug, PCB B3B-XASK-1-A	0501045029	
				CN14	Plug, PCB B4B-XH-AM	0500005314	
				CN15	Plug, PCB B3B-XARK-1-A	0501045319	
				CN17	Plug, PCB B3B-XAKK-1-A	0501045357	

RELAY PCB ASSEMBLY (Ref. No.968)

Ref. No.	Description	Part No.	Ord. Q'ty	Ref. No.	Description	Part No.	Ord. Q'ty
HT201	Heat Sink OSH-4730C-SP	9701754014		R201	Res. Carbon 1/2W 680ohm+-5%	0200012681	
SSR201	Relay S202SE2	9701719013		CN201	Plug, PCB B4P7-VH-B	0500011742	
CR201	CR Absorber RPEL-121204-C	9701125012					

FILTER PCB ASSEMBLY (Ref. No.875) [ ] : ARY36ALC3 Only ( ) : ARY36RLC3 Only

Ref. No.	Description	Part No.	Ord. Q'ty	Ref. No.	Description	Part No.	Ord. Q'ty
C101,102	Cap. Plastic 0.22uF	0300304099		FH1,2	Fuse Holder PFC5000-0502	0500158072	
C105,106	Cap. Plastic 0.022uF	0301052098		E101	Wire w/Terminal L=150 GRN	9702313029	
VA101,102	Varistor TNR10V471K	0000361224		LF101	EMI Filter ELF20N030A	0400247128	
SA101	Arrester DSA-362MA-05	0600168032		[W103,104]	Wire #18 2P	9702080013	
TM101,102	Plug Contact 86028	0500536016		(W103,104)	Wire #18 3P	9702310028	
F101	Fuse BET 4A-250V	0600222543					



[OUTDOOR UNIT]

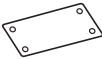




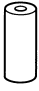


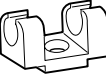
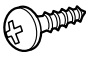

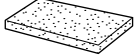
CONTROLLER PCB ASSEMBLY (Ref. No.236) ARY36ALC3 Only

When you order parts, please make a photocopy of this page and fill the number of the parts in the "Order" column.


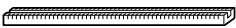
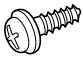






Ref. No.	Description	Part No.	Ord. Q'ty	Ref. No.	Description	Part No.	Ord. Q'ty
IC1	IC uPD780024ACW-015	9700888017		C3,4	Cap. Plastic	0.022uF	0301052098
IC2	IC NJM7805FA	0100462081		C5	Cap. Elec. 25V	1000uF	0301196495
IC3,4	Xstr Array uPA2003GRE2	0100028041		C6	Cap. Elec. 50V	1000uF	0301196822
IC6	IC PST600CMTR	0101461120		C7,14,38-41, 51-54,CJ35, CJ48	Cap. Ceramic 50V	0.01uF	0300311738
IC7	IC HU2001	9701651016		C8,29-31	Cap. Elec. 25V	10uF	0301192312
IC9	IC NJM7824FA	0100462098		C10	Cap. Elec. 50V	100uF	0301192589
IC10	IC NM/FM93C46M8-X	0101622026		C12,13,17-19, 36,42-46	Cap. Ceramic 50V	0.1uF	0300311752
PC1	Photocoupler TLP621 (D4)-GB	0000117074		C15,16,23-25	Cap. Ceramic 50V	1000pF	0300308509
Q3,8,14	Xstr DTC124EKA	0000936033		C27	Cap. Elec. 450V	100uF	0300256060
Q5,6	Xstr 2SC2712	0000781053		C28	Cap. Plastic	4700pF	0300269091
Q9	Xstr 2SC4236	0000164016		C35	Cap. Plastic 50V	0.047uF	0300169339
Q10	Xstr 2SC1815	0000002011		C37	Cap. Elec. 25V	100uF	0301197560
D1,23	Diode D1F60	0000208024		C47	Cap. Elec. 25V	100uF	0301192350
D2,3	Diode D2FL20U	0000906500		C49	Cap. Ceramic	0.01uF	0300209127
D6,7	Diode DA226U	0000625036		K1-5,7	Relay JQ1-12V9701316014		
D11	Diode DAN202K	0000684019		CR1,2,4,5	CR Absorber RPEL-121204-C		9701125012
D14	Diode D3SB60	0000689045		T1	Switching Transformer		9703059018
D18	Diode MTZJ5.1B	0000852166			ETS29AA175AC		
D19	Diode 1SR139-600	0000353120		VA1-3	Varistor TNR10V471K		0000361224
D20,21	Diode D1FL20U	0000746519		SA1	Arrester RA-362M-V7-F		0600280154
LED1-6	Diode SLR-325VC	0000813259		LF1	EMI Filter ELF15N005A		0400165040
R1,3-5	Res. 1/10W 4.7kohm+-5%	0200212906		F1	Fuse BET 6.3A-250V		0600222574
R2	Res. 1/4W 10kohm+-5%	0200231013		SW1	Slide Switch DSS804		9701393015
R7,8,11-13,23-26,30-36,54,55,77-80	Res. 1/10W 1kohm+-5%	0200212746		E	Wire w/Terminal L=100 GRN		9702313012
R9,10,27,37-40,43-45,47,49,50-52,56-58	Res. 1/10W 10kohm+-5%	0200213019		W1	Wire w/Terminal L=330 RED		9702929015
R17	Res. 1/10W 38.3kohm+-1%	0201114575		HT1	Heat Sink PUE56-30		9703347016
R18	Res. 1/10W 14kohm+-1%	0201114193		X1	Ceramic Resonator EF0EC8304T4		9701261017
R19	Res. 1/10W 6.65kohm+-1%	0201113806		FH1,2	Fuse Holder PFC5000-0502		0500158072
R46	Res. Cement 5W 3.3ohm+-10%	0200153148		CN2,15	Plug, PCB B2P3-VH-B-Y		0500011827
R59-62	Res. 1/4W 10ohm+-5%	0200230269		CN3	Plug, PCB B4P7-VH-B		0500011742
R67	Res. Metal Oxide 2W 1.5ohm+-5%	0201107119		CN4	Plug, PCB 179844-1		0501121013
R68	Res. Metal Film 2W 330kohm+-5%	9703493010		CN6	Plug, PCB 179844-4		0501121037
R69	Res. 1/10W 100ohm+-5%	0200212500		CN7	Plug, PCB B3P5-VH-B-C		0500011810
R70	Res. 1/4W 330ohm+-5%	0200230627		CN9	Plug, PCB B6B-XAKK-1-A		0501045425
R71	Res. 1/2W 100ohm+-5%	0200731506		CN10	Plug, PCB B3B-XASK-1-A		0501045029
R81	Res. Metal Oxide 2W 62kohm+-5%	0201107997		CN11	Plug, PCB B6B-XASK-1-A		0501045050
R82	Res. Metal Oxide 1W 56kohm+-5%	0201106662		CN13	Plug, PCB B2P-VH-B		0500011124
CJ26-28,37	Res. 1/10W 0 ohm	0200212012		CN14	Plug, PCB B5P-SHF-1AA		0500006069
C1,2	Cap. Plastic 0.22uF	0300304099		CN16	Plug, PCB B4P7-VH-B-R		0500011797

# STANDARD ACCESSORIES

## INDOOR UNIT ACCESSORIES

Name and Shape	Q'ty	Application	ARY36ALC3	ARY36RLC3
Installation template 	1	For positioning the indoor unit	9357036007	9357036007
Hanger 	4	For suspending the indoor unit from ceiling	9356563009	9356563009
Special nut A (large flange) 	4	For suspending the indoor unit from ceiling	313005446653	313005446653
Special nut B (small flange) 	4		313005446759	313005446759
Coupler heat insulation (large) 	2	For indoor side pipe joint (large pipe)	9350716029	9350716029
Coupler heat insulation (small) 	1	For indoor side pipe joint (small pipe)	9352766015	9352766015
Nylon fastener 	1	For fixing the drain hose	313557416303	313557416303
Remote controller 	1		9703173066	9703173059
Remote controller cord clamp 	10	For installing the remote controller cord	313714181904	313714181904
Tapping screw (flush heads) 	10	For installing the remote controller cord clamp	301141153027	301141153027
Auxiliary pipe assembly 	1	For wiring conduit (gas side) connection	9357038001	9357038001
Drain hose insulation 	1	Insulates the drain hose and vinyl hose connection	313806217708	313806217708

## OUTDOOR UNIT ACCESSORIES

Name and Shape	Q'ty	Application	AOY36ACG3L	AOY36RCG3L
Power cap 	1	For power cord installation	9352173011	9352173011
Auxiliary pipe assembly 	1	For wiring conduit (gas side) connection (May not be supplied, depending on the model)	9355292016	9355292016
Edge cover 	1	For wiring conduit installation hole edge protection	9352436000	9352436000
Tapping screw 	2	<ul style="list-style-type: none"> <li>• For cabinet A and cabinet D mounting (1)</li> <li>• Spare (1)</li> </ul>	301463040100	301463040100
Binder 	1	For power cord binding	313035356905	313035356905
Putty 	1	For sealing	303020200114	303020200114
Coupler heat insulation 	1	For outdoor side pipe joint	313005074759	313005074759
Pipe (drain) 	2	For outdoor unit drain piping work	—	313728031005
Flexible tube 	2		—	313013042915
Cap (drain) 	2		—	313166024302



Большая библиотека технической документации

<https://splitsystema48.ru/instrukcii-po-ekspluatacii-kondicionerov.html>

каталоги, инструкции, сервисные мануалы, схемы.